



# HYDROFIRE EPE

Buildings - Industry - Marine - Waterworks  
 END OF AG. PANTELEIMONOS Str. (ELEONAS)  
 GR-12241 EGALEO,

Tel.: +30 210 3412 749-750 Fax: +30 210 3412 406  
 www.hydrofire.gr, email: info@hydrofire.gr



Ref. : DI 7240N  
 Rev. : D  
 Date : 30/01/2017  
 Page : 1/1

## RUBBER EXPANSION JOINT WITH SWIVEL FLANGES

### DI 7240N



### APPLICATION

Hot water, cold water, water treatment, sewerage, heating, air conditioning, control of vibrations and noise on pipes etc.

### GENERAL CHARACTERISTICS

EPDM rubber bellow.  
 Zinc-plated steel flanges drilled ends - PN10 / PN16 (DN32-150), PN10 (DN200-600).

Movement :

- Axial compression,
- Axial extension,
- Lateral movement.

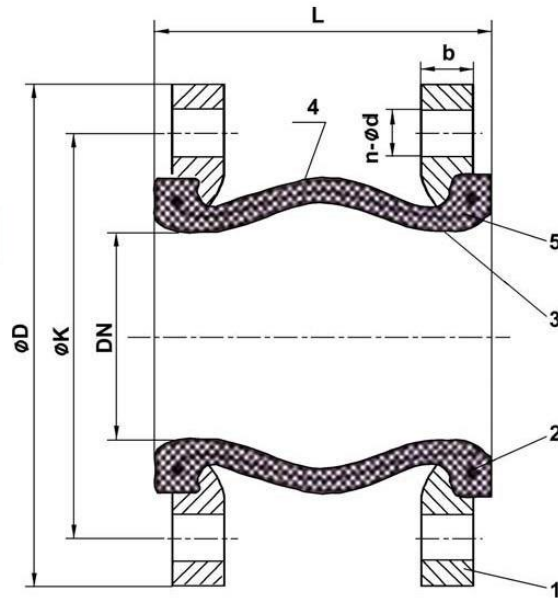
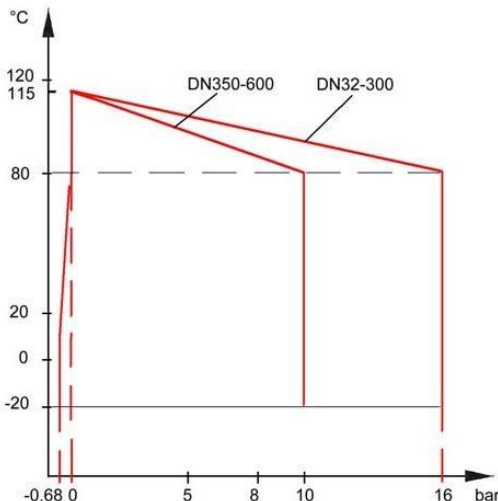
### CONSTRUCTION

5	1	Reinforcement	Nylon tyre cord
4	1	External bellow	EPDM
3	1	Internal bellow	EPDM
2	2	Reinforced wire	Steel
1	2	Flange	Zinc plated steel
Pos.	Q-ty	Description	Material

### DIMENSIONS

DN		L	ØK	n x Ød	ØD	b	Lc	Le	Li	A°	Weight (kg)
mm	inch										
32	1" 1/4	95	100	4 x Ø18	140	15	10	6	10	25	2.93
40	1" 1/2	95	110	4 x Ø18	150	15	10	6	10	25	3.60
50	2"	105	125	4 x Ø18	165	15	10	6	10	25	4.23
65	2" 1/2	115	145	4 x Ø18	185	15	15	8	12	25	5.21
80	3"	135	160	8 x Ø18	200	17	15	8	12	25	6.20
100	4"	135	180	8 x Ø18	220	17	20	12	16	15	7.00
125	5"	165	210	8 x Ø18	250	19	20	12	16	15	9.53
150	6"	180	240	8 x Ø23	285	21	20	12	16	15	12.60
200	8"	205	295	8 x Ø23	340	21	20	12	16	15	17.56
250	10"	240	350	12 x Ø23	395	23	30	14	25	8	20.00
300	12"	260	400	12 x Ø23	445	23	30	14	25	8	25.00
350	14"	265	460	16 x Ø23	505	25	30	14	25	8	28.00
400	16"	265	515	16 x Ø27	565	25	30	14	25	8	47.00
450	18"	265	565	20 x Ø27	615	25	30	14	25	8	49.00
500	20"	265	620	20 x Ø27	670	27	30	14	25	8	61.00
600	24"	265	725	20 x Ø30	780	27	30	14	25	8	68.00

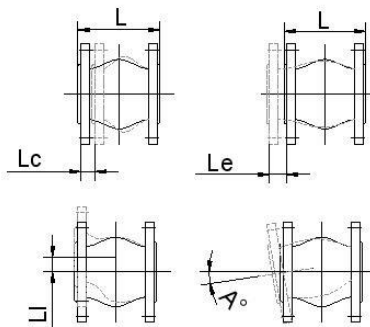
### WORKING CONDITIONS



### STANDARDS

Pressure test according to standards EN 12266-1, DIN 3230, BS 6755 and ISO 5208.

Flanges drilled according to standards EN 1092-1 ISO PN10/16 (DN32-150), PN10 (DN200-600).



Lc : Compression axiale  
 Le : Elongation axiale  
 Li : Mouvement latéral  
 A° : angular movement

The photographs and technical art works are not contractual. The specifications of the presented products are open to modifications without previous advice.