



HYDROFIRE EPE

Buildings - Industry - Marine - Waterworks

END OF AG. PANTELEIMONOS Str. (ELEONAS)

GR-12241 EGALEO,

Tel.: +30 210 3412 749-750 Fax: +30 210 3412 406

www.hydrofire.gr, email: info@hydrofire.gr



Ref. : VP 4201-08.pas

Rev. : N

Date : 21/04/2017

Page : 1/1

DOUBLE EXCENTRIC TYPE BUTTERFLY VALVE WITH GEAR BOX TECWAT

VP 4201-08



APPLICATION

General use : potable water.

GENERAL CHARACTERISTICS

TECWAT type : long pattern.

Design in according to EN 593.

Range : from DN 100 to DN 2000.

Assembling with preferential sense

Bi-directional on demand.

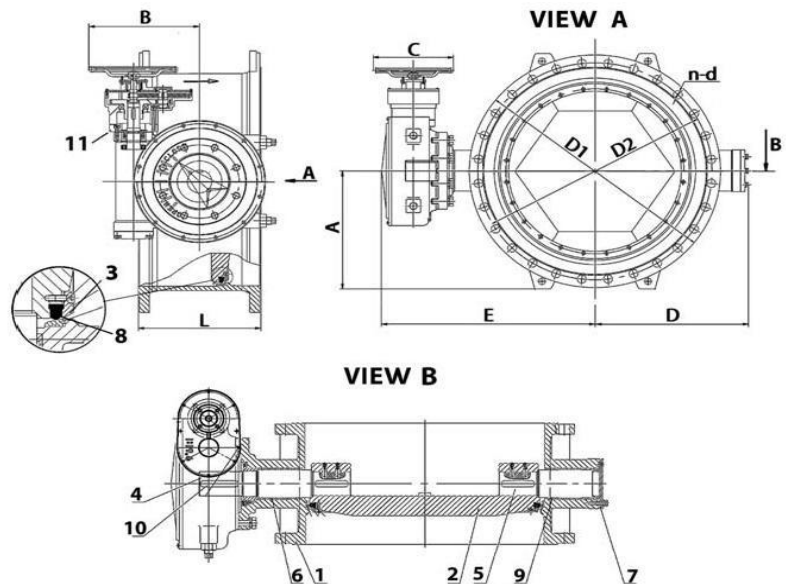
Double excentric type.

Replaceable seat, no wrenkling possibility.

Food epoxy painting.

CONSTRUCTION

Rep.	Nb.	Designation	Material	
11	1	Gearbox		
10	2	Key	Stainless steel X20Cr13	DIN: 1.4021 ASTM: AISI 420 BS: 420 S 37
9	2	O-ring	EPDM	
8	1	Sealing ring	EPDM	
7	1	Cover free end	Ductile iron EN-GJS-500-7	DIN: GGG 50 ASTM: A536 70-50-05 BS: 1563 EN-JS1050
6	2	Bearing bush	Al-Bronze	
5	1	Shaft free end	Stainless steel X20Cr13	DIN: 1.4021 ASTM: AISI 420 BS: 420 S 37
4	1	Shaft driven end	Stainless steel X20Cr13	DIN: 1.4021 ASTM: AISI 420 BS: 420 S 37
3	1	Retaining ring	Steel	
2	1	Disc	Ductile iron EN-GJS-500-7	DIN: GGG 50 ASTM: A536 70-50-05 BS: 1563 EN-JS1050
1	1	Body	Ductile iron EN-GJS-500-7	DIN: GGG 50 ASTM: A536 70-50-05 BS: 1563 EN-JS1050



DIMENSIONS

DN		L	A	B	ØC	D	ØD1	ØD2	E	n-d	Weight (kg)
mm	inch										
100	4"	190	117	133.2	180	133	220	180	284	8-ø19	23
150	6"	210	147.5	133.2	180	164	285	240	315	8-ø23	31
200	8"	230	175	184	240	198	340	295	392	8-ø23	52
250	10"	250	202.5	184	240	219	395	350	413	12-ø23	62
300	12"	270	227.5	253.4	320	254	445	400	511	12-ø23	94
350	14"	290	257.5	253.4	320	279	505	460	536	16-ø23	114
400	16"	310	287.5	320	400	320	565	515	632	16-ø28	162
450	18"	330	312.5	320	400	359	615	565	662	20-ø28	189
500	20"	350	340	320	240	393	670	620	713	20-ø28	238
600	24"	390	395	348	400	450	780	725	780	20-ø31	344
700	28"	430	452.5	348	400	530	895	840	798	24-ø31	470
800	32"	470	512.5	385	400	614	1015	950	891	24-ø34	662
900	36"	510	562.5	385	400	675	1115	1050	950	28-ø34	834
1000	40"	550	620	430	400	748	1230	1160	1039	28-ø37	1172
1200	48"	630	732.5	430	400	865	1455	1380	1181	32-ø41	1714
1400	56"	710	842.5	515	400	1015	1675	1590	1338	36-ø44	2570
1600	64"	790	962.5	515	400	1161	1915	1820	1463	40-ø50	3441
1800	72"	870	1062.5	612	400	1324	2115	2020	1712	44-ø50	4869
2000	80"	950	1167.5	612	400	1437	2325	2230	1817	48-ø50	6516

Gearbox can accept an electric actuator except for DN100-150

WORKING CONDITIONS

Maximum working pressure : 10 bar.

Maximum temperature : + 80 °C.

STANDARDS

Design according to EN 593.

Test procedures are established according to standards EN 12266-1 and API 598.

Face to face according to standard EN 558-1 serie 14.

Connections according to standard EN 1092-2 ISO PN10.

Optional certificat of health conformity (ACS) by request.

The photographs and technical art works are not contractual. The specifications of the presented products are open to modifications without previous advice.