



# HYDROFIRE EPE

Buildings - Industry - Marine – Waterworks  
 END OF AG. PANTELEIMONOS Str. (ELEONAS)  
 GR-12241 EGALEO,  
 Tel.: +30 210 3412 749-750 Fax: +30 210 3412 406  
[www.hydrofire.gr](http://www.hydrofire.gr), email: [info@hydrofire.gr](mailto:info@hydrofire.gr)



**Tecofi**  
 VALVE DESIGNER - FRANCE

## BUTTERFLY VALVE WITH HANDLE

TECHNICAL PASSPORT

**BUTTERFLY VALVE - DUCTILE IRON BODY  
 WITH HANDLE - BETWEEN FLANGES PN10/16**

VPG 4448-02

### APPLICATION

VPG butterfly valves are intended for ON/OFF or control use in fluid transfer circuits.

- Area of use: HVAC.



- Fluids : cold water, hot water, wastewater, liquid discharges, etc.  
 «Not suitable for steam application»

### GENERAL CHARACTERISTICS

- Range : from DN40 to DN300.
- Design according to NF EN 593.
- Type with smooth ears
- Sealing in both directions of circulation of the piping.
- Soft sleeve guaranteeing a perfect tightness.
- Extended neck compatible with pipe lapping
- Disc profiled and reduced in thickness
- Reduced maneuvering torque.
- Coupling stem on disc assembled by conical pin.
- Reduced head losses.
- Notched sector providing 10 positions of adjustment of the handle.
- ISO 5211 mounting plate.



### STANDARDS

<b>Design</b>	Manufacture according to the requirements of the European directive 2014/68/UE «Equipment under pressure»: modulate H.
<b>Face to face</b>	Face to face according to standards NF EN 558-1 série 20, ISO 5272 série 20, DIN 3202.
<b>Connection</b>	Mounting between flanges ISO PN10/16 according to EN1092-2, BS450,AISI B16.1-5. Adjustable between flanges ASME B16.5 Classe 150 and JIS 10K. GOST PN10/16.
<b>Tests</b>	Pressure test according to standards EN12266-1, DIN 3230, BS 5154 and ISO 5208: -Body : 24 bar -Seat : 17.6 bar

### PRODUCT APPROVALS



The photographs and technical art works are not contractual. The specifications of the presented products are open to modifications without previous advice.

Tecofi France



VPG4448-02\_EN // Réalisé le 28/05/2021 // Version B



# HYDROFIRE ΕΠΕ

Buildings - Industry - Marine – Waterworks  
 END OF AG. PANTELEIMONOS Str. (ELEONAS)  
 GR-12241 EGALEO,  
 Tel.: +30 210 3412 749-750 Fax: +30 210 3412 406  
 www.hydrofire.gr, email: info@hydrofire.gr



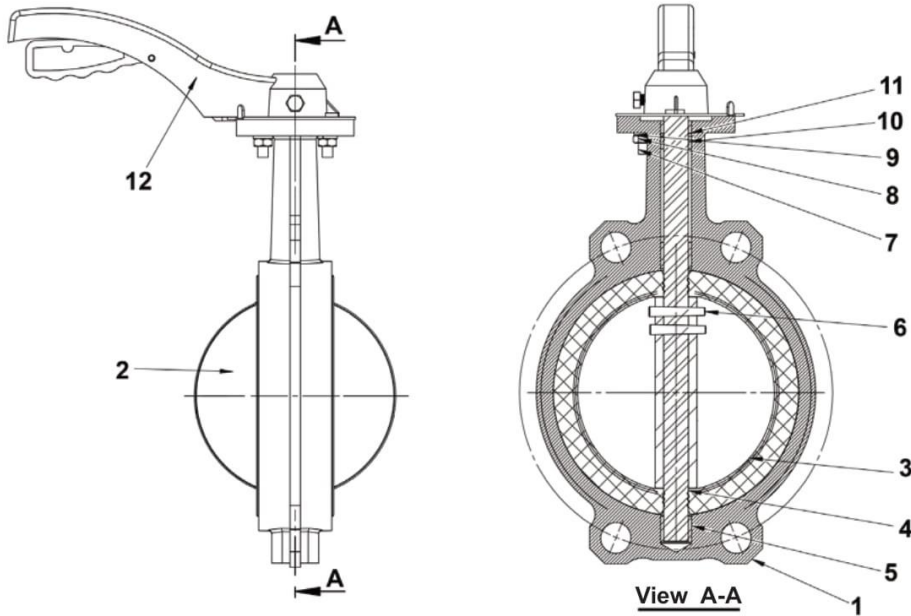
**Tecofi**   
 VALVE DESIGNER - FRANCE

## BUTTERFLY VALVE WITH HANDLE

TECHNICAL PASSPORT

VPG 4448-02

### CONSTRUCTION



Oven backed epoxy coated body RAL 5019 thickness 150μ

Pos.	Q-ty	Description	Material	Equivalences		
				DIN	ASTM	BS
1	1	Body	Ductile iron EN-GJS-400	GGG40	A536 65-45-12	EN-JS1030
2	1	Disc	Ductile iron EN-GJS-400 + Nickel	GGG40	A536 65-45-12	EN-JS1030
3	1	Sleeve	Heat EPDM			
4	1	Stem	Stainless steel 420	X20Cr13		
5	2	Bushing	PTFE			
6	2	Pin	Stainless steel 420	X20Cr13		
7	2	Screw	Stainless steel 201			
8	2	Nut	Stainless steel 201			
9	2	Washer	Stainless steel 201			
10	2	Bushing	PTFE			
11	1	O ring	EPDM			
12	1	Handle	Aluminium (DN40-150) Ductile iron (DN200-300)			

The photographs and technical art works are not contractual. The specifications of the presented products are open to modifications without previous advice.

Tecofi France



VPG4448-02\_EN // Réalisé le 28/05/2021 // Version B



# HYDROFIRE ΕΠΕ

Buildings - Industry - Marine – Waterworks  
 END OF AG. PANTELEIMONOS Str. (ELEONAS)  
 GR-12241 EGALEO,

Tel.: +30 210 3412 749-750 Fax: +30 210 3412 406  
 www.hydrofire.gr, email: info@hydrofire.gr



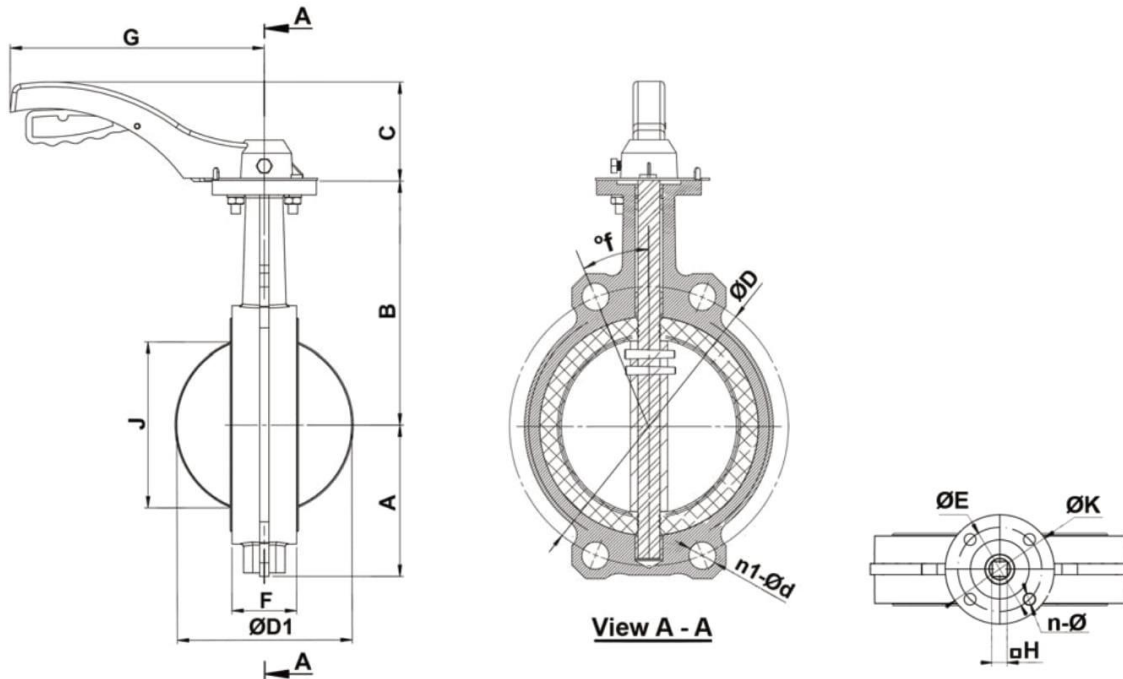
**Tecofi**  
 VALVE DESIGNER - FRANCE

## BUTTERFLY VALVE WITH HANDLE

### TECHNICAL PASSPORT

VPG 4448-02

### DIMENSIONS



DN		A	B	C	ØD	ØD1	n1-Ød	f°	ØE	ØK	J	n-Ø	G	H	Torque (Nm)	Weight (kg)
mm	inch															
40	1 1/2"	60	120	75	110	43	4-Ø19	45°	50	65	29	4-Ø7	170	9	12	1.6
50	2"	60	128	78	125	53	4-Ø19	45°	50	65	31	4-Ø7	170	9	16	2.1
65	2 1/2"	72.5	140	78	145	65	4-Ø19	45°	50	65	46	4-Ø7	170	9	18	2.5
80	3"	91	148	78	160	79	4-Ø19	45°	50	65	64	4-Ø7	170	9	25	3
100	4"	108	165	78	180	105	4-Ø19	22.5°	50	65	91	4-Ø7	170	11	42	4.7
125	5"	121	175	98	210	124	4-Ø20	22.5°	70	90	111	4-Ø10	215	14	65	6
150	6"	131	199	98	240	155	4-Ø23	22.5°	70	90	144	4-Ø10	215	14	110	7.3
200	8"	163	220	93	295	203	4-Ø23	15°/22.5°	102	125	194	4-Ø12	350	17	200	12.9
250	10"	198	251	93	350/355	251	4-Ø28	15°	102	125	242	4-Ø12	350	22	330	19
300	12"	231	288	109	400/410	302	-	15°	102	125	292	4-Ø12	500	22	500	30

The smooth holes are oblong on the DN40, DN200 et DN300 (Radius 12 mm et 13.5 mm)

### WORKING CONDITIONS

Maximum working pressure : 16 bar  
 Maximum working temperature : -15°C / +130°C  
 Peak temperature : -30°C / +150°C

The photographs and technical art works are not contractual. The specifications of the presented products are open to modifications without previous advice.

Tecofi France



VPG4448-02\_EN // Réalisé le 28/05/2021 // Version B