



HYDROFIRE EPE

Buildings - Industry - Marine - Waterworks
 END OF AG. PANTELEIMONOS Str. (ELEONAS)
 GR-12241 EGALEO,

Tel.: +30 210 3412 749-750 Fax: +30 210 3412 406
 www.hydrofire.gr, email: info@hydrofire.gr



Ref. : VOC4241C-00.pas
 Rev. : J
 Date : 03/04/2019
 Page : 1/1

RESILIENT SEAT GATE VALVE VOC 4241C-00



APPLICATION

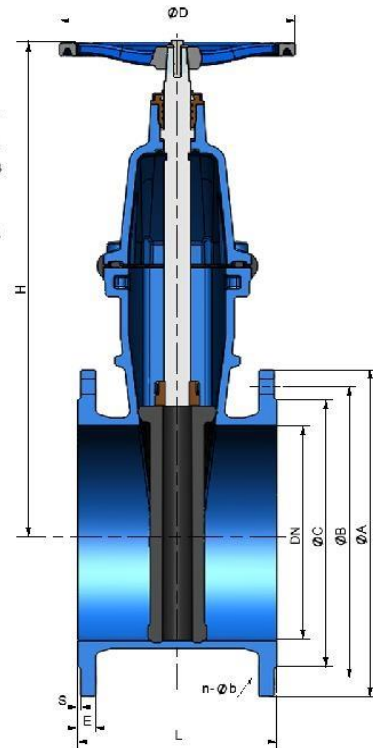
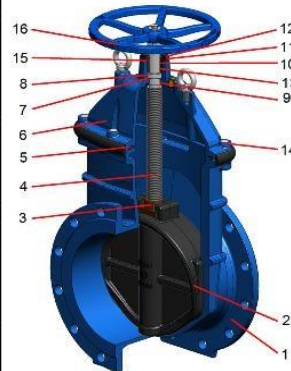
General use : Water supply, fire protection, irrigation, water treatment.

GENERAL CHARACTERISTICS

Range : from DN40 to DN400.
 Elastomer protection of valve body against shock.
 With epoxy coating RAL 5015, 250 microns thickness.
 Non rising stem. Clockwise to close.
 No zone of retention. Low head losses.

CONSTRUCTION

16	1	Handwheel		
15	1	Screw	Stainless steel	
14	1	Bolt	Stainless steel 304	
13	1	Sealing nut	Brass	
12	1	Dust-proof sealing ring	NBR	
11	1	O ring	EPDM	
10	3	O ring	NBR	
9	1	O ring	EPDM	
8	1	Stem sealing gasket	PTFE	
7	2	O ring	EPDM	
6	1	Bonnet	Ductile iron	DIN: GGG 50 ASTM: A536 65-45-12 BS: 1563 EN-JS1050
5	1	Sealing gasket	EPDM	
4	1	Stem	Stainless steel 420	
3	1	Stem nut	Brass	
2	1	Wedge	EPDM coated ductile iron	DIN: GGG 50 ASTM: A536 65-45-12 BS: 1563 EN-JS1050
1	1	Body	Ductile iron	DIN: GGG 50 ASTM: A536 65-45-12 BS: 1563 EN-JS1050
Pos.	Q-ty	Description	Material	



DIMENSIONS

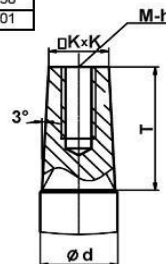
DN		L	H	ØD	ØA		ØB		ØC	E		S	n-Øb		Weight (kg)
mm	inch				PN10	PN16	PN10	PN16		PN10	PN16		PN10	PN16	
40	2"1/2	140	220	180	150	110	84	16	3	16	3	3	4 x Ø19	10	
50	2"	150	230	180	165	125	99	16	3	16	3	3	4 x Ø19	10,6	
60/65	2"1/4 / 2"1/2	170	265	200	185	135/145	118	16	3	16	3	3	4 x Ø19	12,5	
80	3"	180	290	200	200	160	132	16	3	16	3	3	8 x Ø19	13,8	
100	4"	190	335	250	220	180	156	16	3	16	3	3	8 x Ø19	18	
125	5"	200	380	250	250	210	184	16	3	16	3	3	8 x Ø19	22	
150	6"	210	415	300	285	240	211	16	3	16	3	3	8 x Ø23	31,9	
200	8"	230	510	300	340	295	266	17	3	17	3	3	8 x Ø23 / 12 x Ø23	54,5	
250	10"	250	600	350	400	350	319	19	3	19	3	3	12 x Ø23 / 12 x Ø28	75,5	
300	12"	270	690	350	455	400	410	370	20,5	4	4	4	12 x Ø23 / 12 x Ø28	110	
350	14"	290	790	400	520	460	470	429	22,5	4	4	4	16 x Ø23 / 16 x Ø28	158	
400	16"	310	855	400	580	515	525	480	24	4	4	4	16 x Ø28 / 16 x Ø31	201	

WORKING CONDITIONS

Maximum working pressure : 16 bar.
 Maximum working temperature: 110°C

STANDARDS

Face to face according to DIN 3202/ F4 Short pattern.
 Connection according to standard EN 1092-2
 ISO PN10 and ISO PN16.
 Test procedure according to EN1074-2 & EN1171.
 Certificat of health conformity n° 16 ACC LY 039.
 WRAS certificate n° 1606373



DN		Ød	K	M	h	T
mm	inch					
40	2"1/2	20	14,3	8	20	29
50	2"	20	14,3	8	20	29
60/65	2"1/4 / 2"1/2	24	17,3	10	20	33
80	3"	24	17,3	10	20	33
100	4"	28	19,3	10	20	38
125	5"	28	19,3	10	20	38
150	6"	28	19,3	10	20	38
200	8"	30	24,3	10	20	42
250	10"	36	27,3	12	25	47
300	12"	36	27,3	12	25	47
350	14"	38	27,3	12	25	47
400	16"	38	27,3	12	25	47

The photographs and technical art works are not contractual. The specifications of the presented products are open to modifications without previous advice.