



## HYDROFIRE ΕΠΕ

Buildings - Industry - Marine - Waterworks  
END OF AG. PANTELEIMONOS Str. (ELEONAS)  
GR-12241 EGALEO,  
Tel.: +30 210 3412 749-750 Fax: +30 210 3412 406  
[www.hydrofire.gr](http://www.hydrofire.gr), email: [info@hydrofire.gr](mailto:info@hydrofire.gr)



 **GIACOMINI** *...dal 1951...*



**DADO®**



*R910*  
*Full port ball valve*

**CE1115**



# HYDROFIRE ΕΠΕ

Buildings - Industry - Marine – Waterworks  
END OF AG. PANTELEIMONOS Str. (ELEONAS)  
GR-12241 EGALEO,

Tel.: +30 210 3412 749-750 Fax: +30 210 3412 406  
[www.hydrofire.gr](http://www.hydrofire.gr), email: [info@hydrofire.gr](mailto:info@hydrofire.gr)



March 2003

ISO 9001

BSI - Certificate n° FM 00625 - Amendment to 03-1 0-2000 KICM  
Certificate n° 0006/3 - 23-07-2002

Technical communication no.

**6-210GB**



## R910 Full port ball valve



WRAS EN331/98

**R910** is a full port ball valve from the new Giacomini production, who, thanks to many years of experience, undertake the development of a new ball valve generation, featured by the **DADO®** ball and by seats with a new profile for low friction. The outcome of this combination is a valve with incomparable manoeuvrability, increase of reliability and long duration, even for heavy uses. With compact overall dimension and high solidity, **R910** is the best solution for being used on systems working

under extreme conditions, because of pressure, temperature or mechanical stress. Assembly of the stem from inside of the body, which is tamper proof, renders **R910** the best product in gas distribution lines both inside and outside buildings. Materials used for the new profile seats and for the O'Rings allow the use in maximum safety conditions with cold and hot water, alimentary fluids, gases, hydrocarbons, compressed air, dry steam.

### Use

Max. working pressure:

4,2 MPa (42 bar) for 3/8" - 1/2" - 3/4"

3,5 MPa (35 bar) for 1" - 1 1/4" - 1 1/2" - 2"

2,8 MPa (28 bar) for 2 1/2" - 3" - 4"

Max Working temperature:

185°C with 1,05 MPa (10.5 bar)

Suitable fluids: water, gas, hydrocarbons, dry steam

Stem assembled from inside as tamper proof feature

Ball of the **DADO®** serie from hot forging

Seats with low friction profile

Other sizes available in alternative models:

R911 with Aluminium T handle in 3/8" and 1 1/4 sizes

### Technical Data

Body in Brass Nickel plated

Ball of the **DADO®** serie in diamond Brass,

Nickel and Chrome plated

Seats of the ball in P.T.F.E.

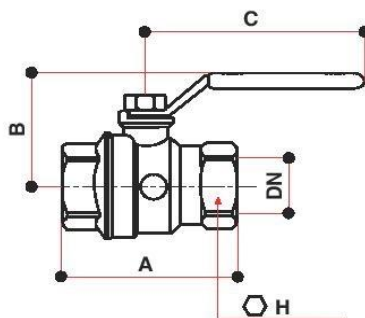
Double O'Ring on the stem in Fluorine Carbon, and anti friction O'Ring in P.T.F.E.

Steel lever handle coated by insulating plastic

### Materials



R910



### Dimensions

	DN	A	B	C	H	KV*
1/4"	8	43	26	43	17	6,6
3/8"	10	49	32	77	21	8,8
1/2"	15	56	36	77	25	20
3/4"	20	62	48	94	31	35
1"	25	76	52	94	39	55
# 1 1/4"	32	86	56	94	48	128
# 1 1/2"	40	97	70	138	54	200
# 2"	50	111	80	138	67	312
# 2 1/2"	65	153	110	190	82	497
# 3"	80	172	120	190	96	723
# 4"	100	217	160	260	123	1252

\* Valves approved according to the Directive PED 97/23/CE and CE1115 marked

\* with water at 10°C