



HYDROFIRE ΕΠΕ

Buildings - Industry - Marine – Waterworks
END OF AG. PANTELEIMONOS Str. (ELEONAS)
GR-12241 EGALEO,
Tel.: +30 210 3412 749-750 Fax: +30 210 3412 406
www.hydrofire.gr, email: info@hydrofire.gr



Victaulic® Series UMC (Universal Manifold Check) Assembly



1.0 PRODUCT DESCRIPTION

Available Sizes

- 1 ¼ – 8"/DN32 – DN200

Maximum Working Pressure

- Up to 300 psi/2068 kPa/20.6 bar

Application

- Floor control assemblies may be utilized to meet the zone separation requirements of multistory applications exceeding two stories in height or whenever separate control or zoning is specified.
- Shotgun riser assemblies may be utilized in vertical orientations on individual system risers.

Configurations

- Optional control valve: Series 705 Butterfly Valve or Series 728 Ball Valve
- Factory assembled right-handed/left-handed (field changeable if necessary)

Included Components

- Integrated Check Valve
- Series UTD (Universal Test Drain) with integrated Series ARV (Adjustable Relief Valve)
- Quick Drain Hose
- Vane Type Flow Switch
- 1 ¼ – 2"/DN32 – DN50 UMC use saddle type 2" VSR flow switch
- 2 ½ – 3"/73mm – DN80 and 8"/DN200 UMC use saddle type VSR flow switch for corresponding valve size
- 4 – 6"/DN100-DN150 UMC use VSR-M flow switch with flange adapter
- 1 ¼ – 8"/DN32 – DN200 System-side pressure gauge 400 psi/2750 kPa/27.5 bar
- 1 ¼ – 3"/DN32-DN80 supply side ½" plugged port located on control valve (if using as a system riser, pressure gauge ordered separately)
- 4 – 8"/DN100 – DN200 Supply-side pressure gauge 400 psi/2750 kPa/27.5 bar

Available End Connections

- Victaulic Original Groove System (OGS) standard groove

2.0 CERTIFICATION/LISTINGS



ALWAYS REFER TO ANY NOTIFICATIONS AT THE END OF THIS DOCUMENT REGARDING PRODUCT INSTALLATION, MAINTENANCE OR SUPPORT.

victaulic.com

30.72 15916 Rev A Updated 01/2022 © 2022 Victaulic Company. All rights reserved.





HYDROFIRE ΕΠΕ

Buildings - Industry - Marine – Waterworks
 END OF AG. PANTELEIMONOS Str. (ELEONAS)
 GR-12241 EGALEO,

Tel.: +30 210 3412 749-750 Fax: +30 210 3412 406
www.hydrofire.gr, email: info@hydrofire.gr



victaulic.com

3.0 SPECIFICATIONS – MATERIAL

Body: Ductile iron conforming to ASTM A536, grade 65-45-12

Clapper: Stainless Steel

Clapper Seal: EPDM

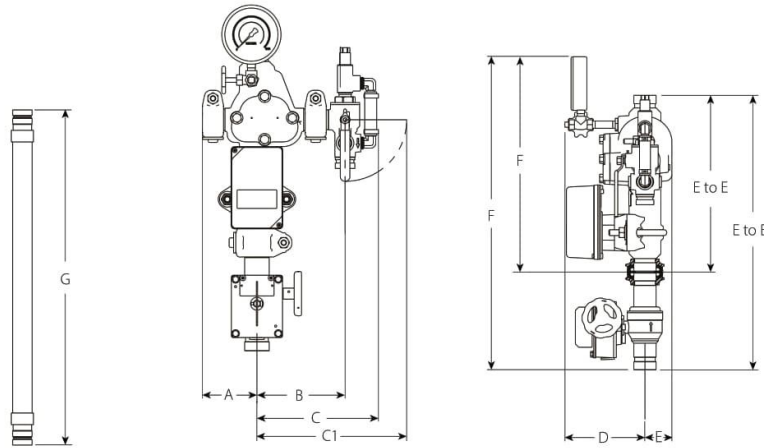
Shafts: Stainless Steel

Seat: Brass

Spring: Stainless Steel

Hose: Stainless Steel

4.0 DIMENSIONS



Size		Dimensions											Series UTD Valve Size (Nominal)		Series UTD Test Orifice		G Quick Drain Hose Length		Weight	
Nominal	Actual Outside Dia.	E to E with control valve	E to E without control valve	A	B	C	C-1	D with control valve	D without control valve	E	F with control valve	F without control valve	inches DN	K-Factor S.I.	inches	mm	Approx. (Each) with control valve	Approx. (Each) without control valve		
inches	inches						inches						DN		mm		lb	lb		
DN	mm						mm									kg	kg			
1 ¼	1.660	20.50	13.13	3.63	5.88	8.25	10.00	6.00	6.00	2.00	23.38	16.00	1.00	2.8	24.00	32.0	24.0			
DN32	42.4	521	333	92	149	210	254	152	152	51	594	406	25	4.0	610	14.5	10.9			
1 ½	1.900	20.50	13.13	3.63	5.88	8.25	10.00	6.00	6.00	2.00	23.50	16.13	1.00	2.8	24.00	34.0	25.0			
DN40	48.3	521	333	92	149	210	254	152	152	51	597	410	25	4.0	610	15.4	11.3			

NOTES

- When Series UTD Valve Size (Nominal) is 1 1/25 mm, flexible drain hose connection utilizes FireLock IGS™ groove profile
- ½" system supply pressure gauge port located on the control valve for sizes 1 ¼ – 1 ½/DN32 – DN40



HYDROFIRE EPE

Buildings - Industry - Marine – Waterworks

END OF AG. PANTELEIMONOS Str. (ELEONAS)

GR-12241 EGALEO,

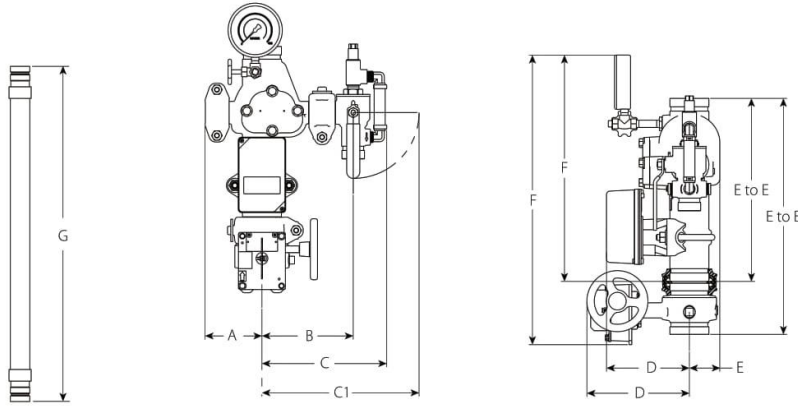
Tel.: +30 210 3412 749-750 Fax: +30 210 3412 406

www.hydrofire.gr, email: info@hydrofire.gr



victaulic.com

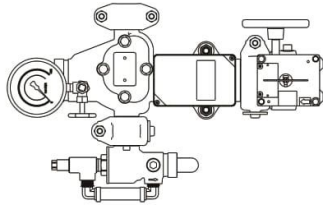
4.0 DIMENSIONS (CONTINUED)



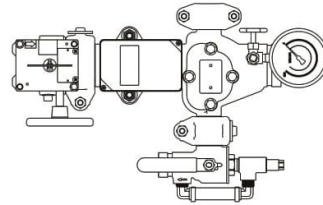
Size		Dimensions											Series UTD Valve Size (Nominal)		Series UTD Test Orifice		G Quick Drain Hose Length		Weight	
Nominal inches DN	Actual Outside Dia. inches mm	E to E with control valve	E to E without control valve	A	B	C	C-1	D with control valve	D without control valve	E	F with control valve	F without control valve	inches DN	K-Factor S.I.	inches mm	Approx. (Each) with control valve lb kg	Approx. (Each) without control valve lb kg			
2 DN50	2.375 60.3	17.50 445	13.13 333	3.63 92	5.88 149	8.25 210	10.00 254	6.38 162	6.00 152	2.00 51	21.13 537	16.38 416	1.00 25	2.8 4.0	24.00 610	36.0 16.3	25.0 11.3			
2½	2.875 73.0	17.38 441	13.50 343	4.25 108	6.75 171	9.25 235	11.50 292	7.50 191	6.13 156	2.25 57	21.25 540	16.63 422	1.25 32	4.2 6.1	24.00 610	39.0 17.7	28.0 12.7			
DN65	3.000 76.1	17.38 441	13.50 343	4.25 108	6.75 171	9.25 235	11.50 292	7.50 191	6.13 156	2.25 57	21.25 540	16.63 422	1.25 32	4.2 6.1	24.00 610	39.0 17.7	28.0 12.7			
3 DN80	3.500 88.9	17.63 448	13.75 349	4.38 111	7.13 181	9.63 244	11.88 302	7.75 197	6.38 162	2.38 60	21.13 537	16.50 419	1.25 32	4.2 6.1	24.00 610	44.0 20.0	31.0 14.1			
4 DN100	4.500 114.3	19.50 495	14.63 371	5.75 146	8.75 222	11.63 295	14.88 378	8.75 222	7.00 178	3.00 76	22.75 578	17.63 448	2.00 51	5.6 8.1	36.00 914	65.0 29.5	52.0 23.6			
	6.500 165.1	23.50 597	17.38 441	6.88 175	10.00 254	12.88 327	16.13 410	11.38 289	8.00 203	3.88 98	25.88 657	19.75 502	2.00 51	5.6 8.1	36.00 914	100.0 45.4	73.0 33.1			
6 DN150	6.625 168.3	23.50 597	17.38 441	6.88 175	10.00 254	12.88 327	16.13 410	11.38 289	8.00 203	3.88 98	25.88 657	19.75 502	2.00 51	5.6 8.1	36.00 914	100.0 45.4	73.0 33.1			

NOTES

- ½" system supply pressure gauge port located on the control valve for sizes 2 – 3"/DN50 – DN80 (gauge sold separately)
- Included System supply pressure gauge located on the control valve for sizes 4 – 6"/DN100 – DN150
- When Series UTD Valve Size (Nominal) is 1 7/25 mm, flexible drain hose connection utilizes FireLock IGS™ groove profile



Horizontal Install Left Hand with Control Valve



Horizontal Install Right Hand with Control Valve



HYDROFIRE ΕΠΕ

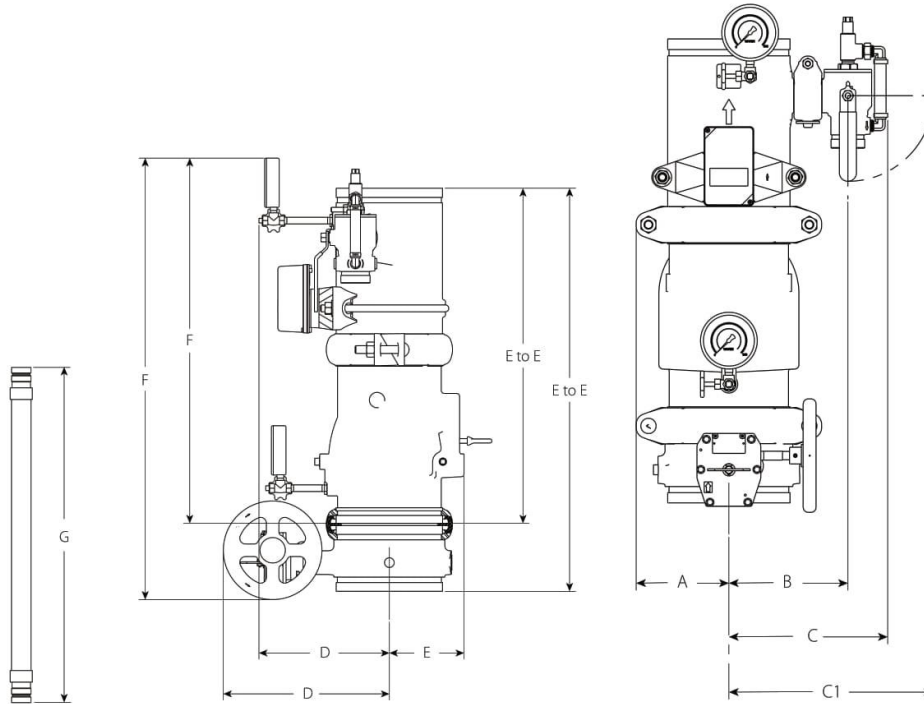
Buildings - Industry - Marine – Waterworks
 END OF AG. PANTELEIMONOS Str. (ELEONAS)
 GR-12241 EGALEO,

Tel.: +30 210 3412 749-750 Fax: +30 210 3412 406
www.hydrofire.gr, email: info@hydrofire.gr



victaulic.com

4.0 DIMENSIONS (CONTINUED)



Size		Dimensions										Series UTD Valve Size (Nominal)		Series UTD Test Orifice K-Factor S.I.		G Quick Drain Hose Length		Weight	
Nominal inches DN	Actual Outside Dia. inches mm	E to E with control valve	E to E without control valve	A	B	C	C-1	D with control valve	D without control valve	E	F with control valve	F without control valve	inches DN	Series UTD Test Orifice K-Factor S.I.	inches mm	Approx. (Each) with control valve lb kg	Approx. (Each) without control valve lb kg		
8	8.625	32.75	27.25	6.50	8.38	11.25	14.38	13.50	10.63	6.00	35.13	29.63	2.00	5.6	36.00	178.0	136.0		
DN200	219.1	832	692	165	213	286	365	343	270	152	892	752	51	8.1	914	80.7	61.7		

NOTE

- System supply pressure gauge port is on the supply side of check valve



HYDROFIRE ΕΠΕ
Buildings - Industry - Marine – Waterworks
 END OF AG. PANTELEIMONOS Str. (ELEONAS)
 GR-12241 EGALEO,
 Tel.: +30 210 3412 749-750 Fax: +30 210 3412 406
www.hydrofire.gr, email: info@hydrofire.gr



victaulic.com

5.0 PERFORMANCE

Size		Equivalent Length of Sch. 40 Pipe ¹		Flow Characteristics		Maximum Working Pressure psi kPa
Nominal inches DN	Actual Outside Diameter inches mm	with control valve	without control valve	Cv/Kv Values with control valve	Cv/Kv Values without control valve	
		feet meters	feet meters	Full Open	Full Open	
1 ¼ DN32	1.660	8.3	8.0	38.52	35.59	300 2068
	42.4	2.5	2.4	33	31	
1 ½ DN40	1.900	10.1	10.0	56.75	57.43	300 2068
	48.3	3.1	3.0	49	50	
2 DN50	2.375	21.1	15.8	71.43	83.14	300 2068
	60.3	6.4	4.8	62	72	
2 ½	2.875	19.6	15.8	112.43	125.84	300 2068
	73.0	6.0	4.8	97	109	
DN65	3.000	19.6	15.8	112.43	125.84	300 2068
	76.1	6.0	4.8	97	109	
3 DN80	3.500	20.0	13.3	199.32	241.43	300 2068
	88.9	6.1	4.0	172	209	
4 DN100	4.500	17.6	12.9	425.88	499.23	300 2068
	114.3	5.4	3.9	368	432	
	6.500	40.6	32.0	834.97	932.83	300 2068
	165.1	12.4	9.8	722	807	
6 DN150	6.625	40.6	32.0	834.97	932.83	300 2068
	168.3	12.4	9.8	722	807	
8 DN200	8.625	60.8	45.8	1376.8	1556.57	300 2068
	219.1	18.5	13.9	1191	1346	

¹ Equivalent length of Sch 40 pipe calculated using the Hazen-Williams formula with a roughness coefficient of C=120



HYDROFIRE ΕΠΕ

Buildings - Industry - Marine – Waterworks
END OF AG. PANTELEIMONOS Str. (ELEONAS)
GR-12241 EGALIO,

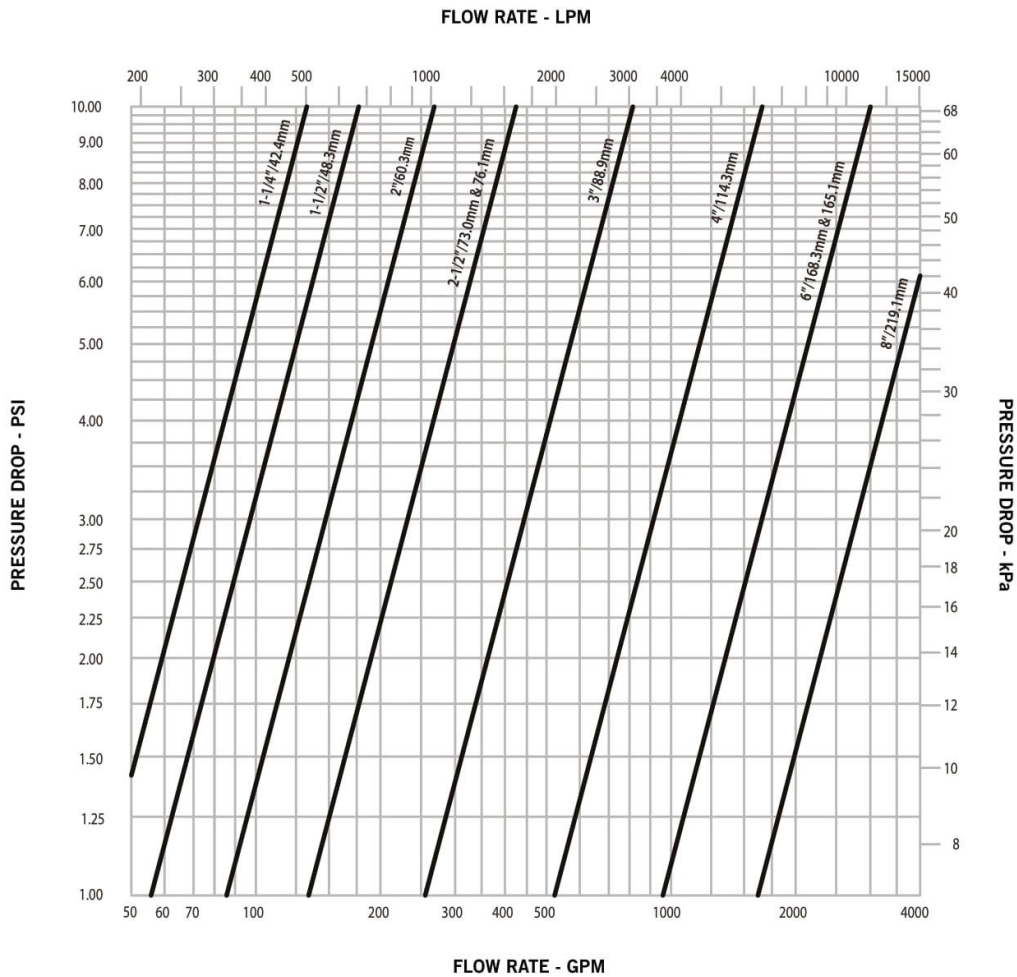
Tel.: +30 210 3412 749-750 Fax: +30 210 3412 406
www.hydrofire.gr, email: info@hydrofire.gr



victaulic.com

5.0 PERFORMANCE (CONTINUED)

Series UMC without Control Valve



NOTE

- Includes friction loss across flow switch



HYDROFIRE ΕΠΕ

Buildings - Industry - Marine – Waterworks
END OF AG. PANTELEIMONOS Str. (ELEONAS)
GR-12241 EGALEO,

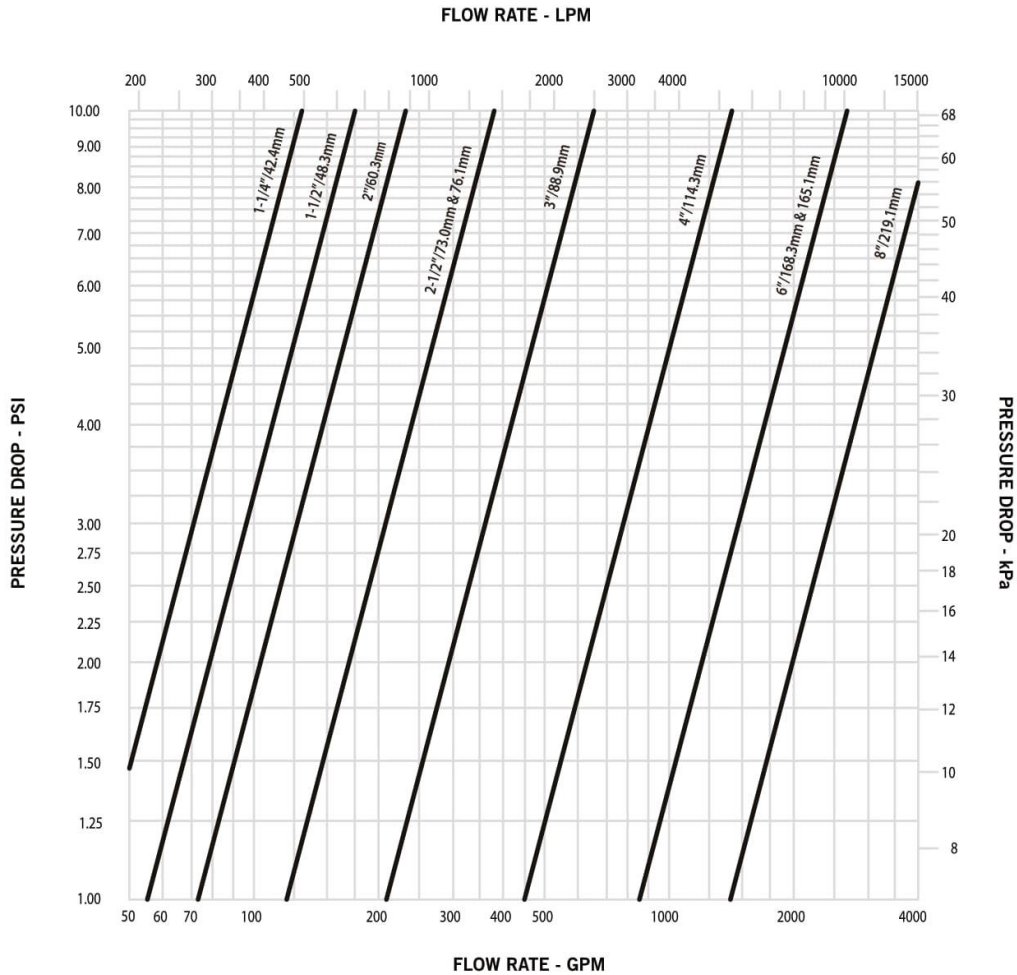
Tel.: +30 210 3412 749-750 Fax: +30 210 3412 406
www.hydrofire.gr, email: info@hydrofire.gr



victaulic.com

5.0 PERFORMANCE (CONTINUED)

Series UMC with Control Valve



NOTE

- Includes friction loss across flow switch