



HYDROFIRE ΕΠΕ

Buildings - Industry - Marine – Waterworks

END OF AG. PANTELEIMONOS Str. (ELEONAS)

GR-12241 EGALEO,

Tel.: +30 210 3412 749-750 Fax: +30 210 3412 406

www.hydrofire.gr, email: info@hydrofire.gr



Ref. : JT4243 .pas

Rev. : F

Date : 31/03/2020

Page : 1/1

DISMANTLING JOINTS PN16 JT4243



APPLICATION

General use : for easy installation and dismantling of water and drinking water valves.

GENERAL CHARACTERISTICS

Range : from DN 50 up to DN 2000.

Steel GEOMET 500® bolts and nuts resistant to the marine atmosphere.

Connection PN16.

CONSTRUCTION

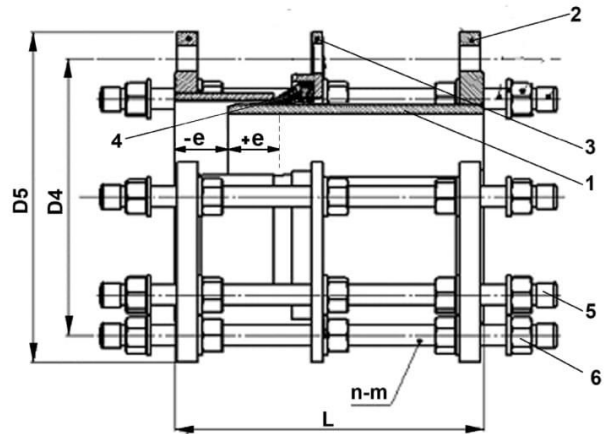
Pos.	Qty.	Description	Material	
6	-	Washer	Steel	GEOMET 500®
5	-	Stud bolt	Steel 4.8	GEOMET 500®
4	1	Sealing ring	EPDM	WRAS
3	1	Retaining flange	Ductile iron EN-GJS-500-7	DIN: GGG50 ASTM: A536 70-50-05 BS: 500/7
2	1	Flanged pipe - long	Ductile iron EN-GJS-500-7	DIN: GGG50 ASTM: A536 70-50-05 BS: 500/7
1	1	Flanged pipe - short	Ductile iron EN-GJS-500-7	DIN: GGG50 ASTM: A536 70-50-05 BS: 500/7



Setting range : $\pm e$

DIMENSIONS

DN		e	L	D5	D4	n-m	Flange thickness	Weight (kg)
mm	inch							
50	2"	25	190	165	125	M16*330*4	16+3	9,9
65	2 1/2"	25	190	185	145	M16*330*4	16+3	11,4
80	3"	25	200	200	160	M16*340*8	16+3	15,7
100	4"	25	200	220	180	M16*340*8	16+3	18,6
125	5"	25	200	250	210	M16*340*8	16+3	27,5
150	6"	25	220	285	240	M20*350*8	16+3	29
200	8"	25	210	340	295	M20*350*12	16+3	39,4
250	10"	25	225	400	355	M24*380*12	19+3	55
300	12"	25	240	455	410	M24*400*12	20.5+3	69,4
350	14"	25	240	520	470	M24*410*16	22.5+3	89
400	16"	25	275	580	525	M27*430*16	24+3	115
450	18"	25	270	640	585	M27*450*20	26+3	158,2
500	20"	25	270	715	650	M30*460*20	27.5+3	198
600	24"	25	290	840	770	M33*500*20	31+3	270
700	28"	25	300	910	840	M33*500*24	34.5+3	296
800	32"	25	315	1025	950	M36*530*24	38+3	386
900	36"	25	325	1125	1050	M36*530*28	41.5+3	456
1000	40"	25	335	1255	1170	M39*570*28	45+3	582
1200	48"	25	345	1485	1390	M45*620*32	52+3	740
1400	56"	25	355	1685	1590	M45*630*36	55+3	1360
1500	60"	25	375	1820	1710	M52*665*36	57+3	1510
1600	64"	25	375	1930	1820	M52*700*40	60+3	1690
1800	72"	25	395	2130	2020	M52*730*44	65+3	2500
2000	80"	25	315	2345	2230	M56*730*48	69+3	2930



WORKING CONDITIONS

Maximum working pressure: 16 bar
Maximum working temperature: +4°C / +110°C

STANDARDS

Pressure test according to standard: EN12266-1:
Body: 24 bar

Connection suitable with flanges EN 1092-2 PN16

Epoxy coating RAL 5015, 250 microns thickness - WRAS

The photographs and technical art works are not contractual. The specifications of the presented products are open to modifications without previous advice