



HYDROFIRE ΕΠΕ

Buildings - Industry - Marine – Waterworks
 END OF AG. PANTELEIMONOS Str. (ELEONAS)
 GR-12241 EGALEO,

Tel.: +30 210 3412 749-750 Fax: +30 210 3412 406
 www.hydrofire.gr, email: info@hydrofire.gr



Ref. : V 1141.pas

Rev. : K

Date : 20/09/2017

Page : 1/1

COPPER ALLOY GATE VALVE PN16

V 1141



APPLICATION

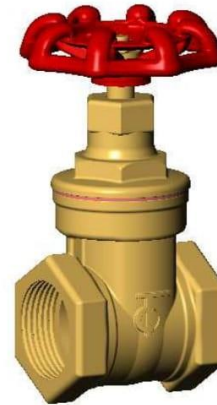
Cutting of a usual fluid, economic installation, cold and hot water, low pressure with control for gas.

GENERAL CHARACTERISTICS

Copper alloy body, bonnet and seat.
 Operating by painted steel handwheel.
 BSP female threaded ends - PN 16.

CONSTRUCTION

9	1	Bonnet washer	PTFE	
8	1	Stem packing	EPDM	
7	1	Wedge	Copper alloy CuZn39Pb2	DIN: CuZn39Pb2 ASTM: B124 C37700 BS: 12164 CZ121
6	1	Handwheel	Casted aluminium	
5	1	Stem	Copper alloy CuZn39Pb2	DIN: CuZn39Pb2 ASTM: B124 C37700 BS: 12164 CZ121
4	1	Packing gland	Copper alloy	
3	1	Nut	Copper alloy	
2	1	Bonnet	Copper alloy CuZn39Pb2	DIN: CuZn39Pb2 ASTM: B124 C37700 BS: 12164 CZ121
1	1	Body	Copper alloy CuZn39Pb2	DIN: CuZn39Pb2 ASTM: B124 C37700 BS: 12164 CZ121
Pos.	Qty.	Description	Material	



DIMENSIONS

DN		L	H	D1	ØP	A	B	Weight (kg)
mm	inch							
15	1/2"	43.5	72.0	13	54	26	12.5	0,25
20	3/4"	47	83.0	17	57	31	12,0	0,32
25	1"	52	90.0	20	57	37.5	14	0,44
32	1 1/4"	63	105.0	28	71	47	16	0,73
40	1 1/2"	66	140.0	32.5	71	54	16.5	0,98
50	2"	71	144.5	44	78	65	18	1,43
65	2 1/2"	82	161.0	54	129.5	84	20,0	2,40
80	3"	96	193,5	68	129.5	95	21,5	3,38
100	4"	120	225,0	82	129.5	122	28,0	5,57

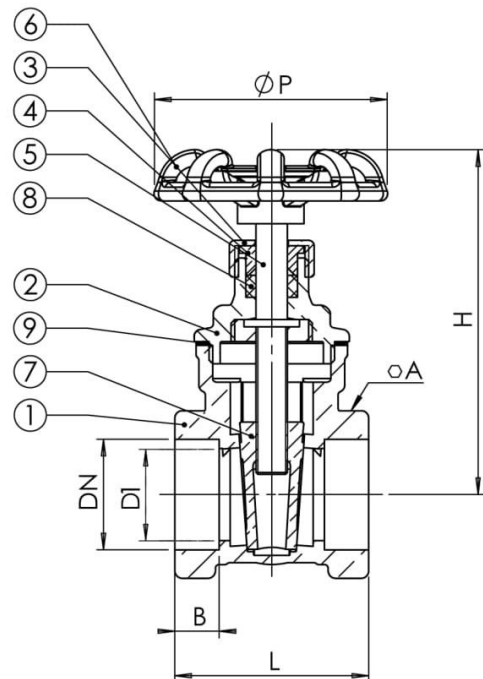
WORKING CONDITIONS

Maximum working pressure : 16 bar.
 Maximum temperature : -10°C/+100°C.

Pressure test according to standards
 EN 12266-1, DIN 3230, BS 5154 and ISO 5208 :
 Body : 24 bar.
 Seat : 17,6 bar.

STANDARDS

BSP female threaded according to standard ISO 228-1.



The photographs and technical art works are not contractual. The specifications of the presented products are open to modifications without previous advice.