



# HYDROFIRE ΕΠΕ

Buildings - Industry - Marine – Waterworks  
END OF AG. PANTELEIMONOS Str. (ELEONAS)  
GR-12241 EGALEO,

Tel.: +30 210 3412 749-750 Fax: +30 210 3412 406  
[www.hydrofire.gr](http://www.hydrofire.gr), email: [info@hydrofire.gr](mailto:info@hydrofire.gr)



Ref. : R 2148A.pas  
Rev. : C  
Date :18/01/2019  
Page : 1/1

## BRONZE GLOBE VALVE PN20

### R 2148A



**Tecofi**  
VALVE DESIGNER - FRANCE

#### APPLICATION

General use: water, oil.

#### GENERAL CHARACTERISTICS

Bronze body and bonnet.  
Operating by aluminium paint handwheel.  
Rising stem.  
Female/female threaded ends PN20.

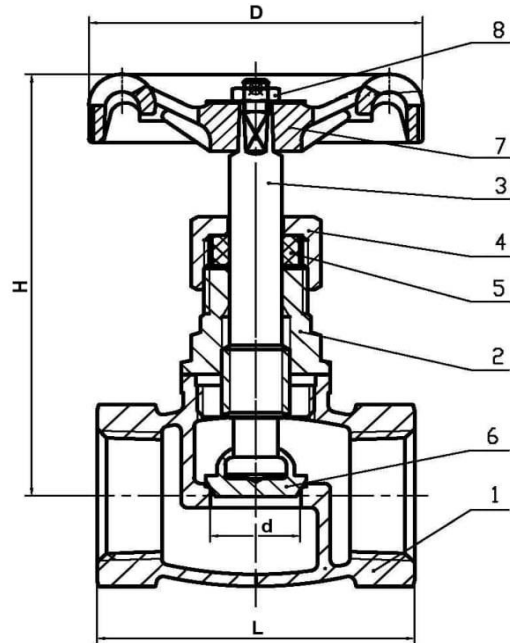
#### CONSTRUCTION

8	Handwheel nut	Stainless steel
7	Handwheel	Aluminium
6	Disc	DZR Brass CW602N (1/2" – 1") Bronze CC491K (1"1/4 * 2")
5	Packing	PTFE
4	Packing nut	Brass
3	Stem	DZR Brass CW602N
2	Bonnet	Bronze CC491K
1	Body	Bronze CC491K
Pos.	Description	Material



#### DIMENSIONS

DN		d	L	H	D	Weight (kg)
mm	inch					
15	1/2"	14	52	70	60	0,266
20	3/4"	19	63	82	65	0,437
25	1"	24	76	92	70	0,695
32	1"1/4	32	84	108	78	1,062
40	1"1/2	38	98	120	92	1,426
50	2"	48	116	140	103	2,379



#### WORKING CONDITIONS

Maximum working pressure : 20 bar.  
Maximum working temperature : -10°C / + 170°C.

#### STANDARDS

Female/female threaded connection according to BSPP.  
Test procedures are established according to EN12266-1 : 2012.

**TECOFI France** - 83, Rue Marcel Mérieux 69960 Corbas - FRANCE  
Tél. +33 (0) 4 72 79 05 79 - Fax +33 (0) 4 78 90 19 19 / +33 (0) 4 72 79 05 70  
Adresses e-mail : [sales@tecofi.fr](mailto:sales@tecofi.fr) ; [tecofi@tecofi.fr](mailto:tecofi@tecofi.fr) / Site web : [www.tecofi.fr](http://www.tecofi.fr)

The photographs and technical art works are not contractual. The specifications of the presented products are open to modifications without previous advice