



HYDROFIRE ΕΠΕ

Buildings - Industry - Marine – Waterworks
 END OF AG. PANTELEIMONOS Str. (ELEONAS)
 GR-12241 EGALEO,

Tel.: +30 210 3412 749-750 Fax: +30 210 3412 406
www.hydrofire.gr, email: info@hydrofire.gr

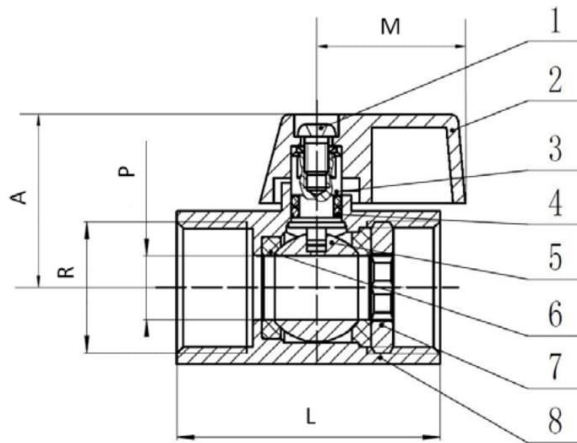


GENEBRE

Art.: 3396

Válvula de esfera mini / Mini ball valve

| Características | Features |
|---|--|
| 1. Válvula esfera tipo mini, paso reducido. | 1. Ball valve mini style, reduced bore. |
| 2. Presión máxima de trabajo 16 bar (PN 16). | 2. Maximum working pressure 16bar (PN 16). |
| 3. Construcción cuerpo en latón según UNE-EN 12165 cromado. | 3. Body brass construction according UNE-EN 12165 chrome plated. |
| 4. Extremos roscados gas (BSP) hembra según ISO 228/1. | 4. Female (BSP) gas threaded ends according ISO 228/1. |
| 5. Temperatura de trabajo desde -20°C a 110°C. | 5. Working temperature from -20°C to 110°C. |
| 6. Accionamiento maneta aluminio. | 6. Drive by aluminium handle. |
| 7. Asientos PTFE. | 7. PTFE Seats. |



| Nº | Denominación / Name | Material | Acabado Superficial / Surface Treatment |
|----|-----------------------|--------------------------------|---|
| 1 | Tornillo M3x6 / Screw | Acero Inox. / S.Steel AISI 201 | - |
| 2 | Maneta / Handle | Aluminio / Aluminium | Pintado azul / Blue painted |
| 3 | Eje / Stem | Latón / Brass | - |
| 4 | Tórica / O-ring | NBR | - |
| 5 | Esfera / Ball | Latón / Brass | Cromado / Chrome plated |
| 6 | Asientos / Ball Seats | PTFE | - |
| 7 | Tapa / Cap | Latón / Brass | - |
| 8 | Cuerpo / Body | Latón / Brass (CW617N) | Cromado / Chrome plated |

| Ref. | Medida / Size | PN | Dimensiones / Dimensions (mm.) | | | | Peso / Weight (Kg) |
|---------|---------------|----|--------------------------------|----|----|----|--------------------|
| | R | | P | A | L | M | |
| 3396 01 | 1/8" | 16 | 6 | 26 | 37 | 23 | 0,090 |
| 3396 02 | 1/4" | 16 | 8 | 26 | 40 | 23 | 0,090 |
| 3396 03 | 3/8" | 16 | 8 | 27 | 42 | 23 | 0,080 |
| 3396 04 | 1/2" | 16 | 10 | 28 | 45 | 23 | 0,105 |
| 3396 05 | 3/4" | 16 | 12 | 30 | 53 | 23 | 0,185 |



HYDROFIRE ΕΠΕ

Buildings - Industry - Marine – Waterworks
END OF AG. PANTELEIMONOS Str. (ELEONAS)
GR-12241 EGALEO,
Tel.: +30 210 3412 749-750 Fax: +30 210 3412 406
www.hydrofire.gr, email: info@hydrofire.gr



GENEBRE

DIAGRAMA PÉRDIDA DE CARGA / HEAD LOSS CHART

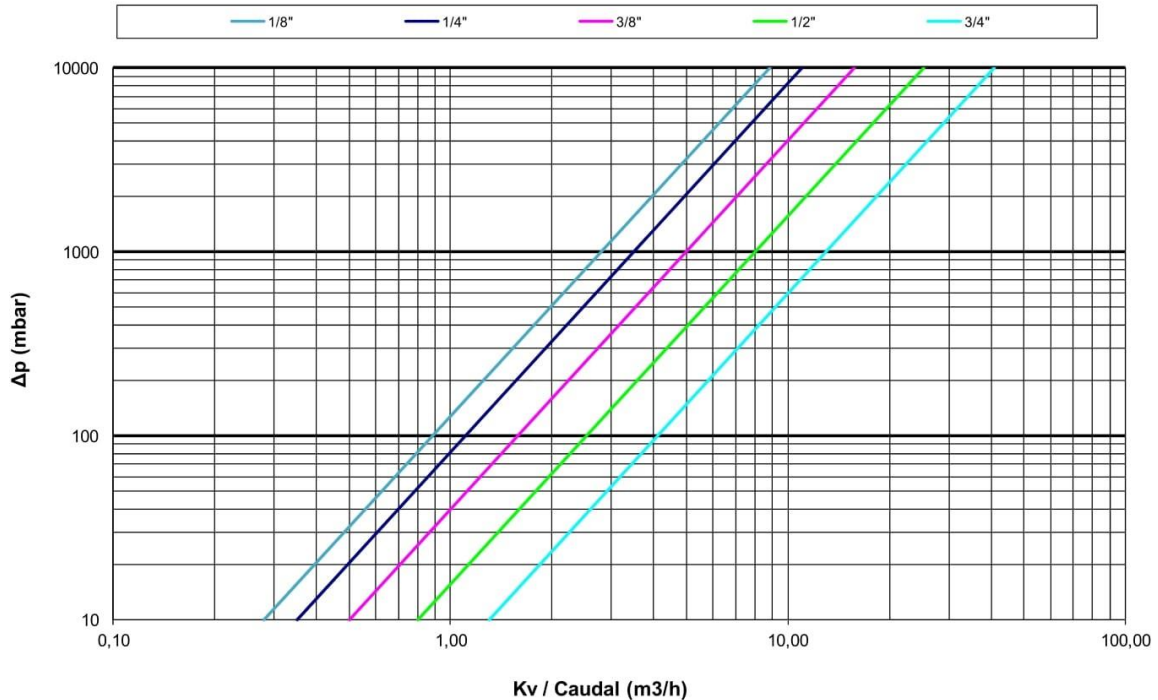
(Válvulas paso reducido roscadas / Threaded ends reduced bore ball valves)

Valores de Kv / Kv Values:

Kv = Es la cantidad de metros cúbicos por hora que pasará a través de la válvula generando una pérdida de carga de 1 bar.

Kv = The flow rate of water in cubic meters per hour that will generate a pressure drop of 1 bar across the valve.

| Medida / Size | 1/8" | 1/4" | 3/8" | 1/2" | 3/4" |
|---------------|------|------|------|------|------|
| Kv | 2.8 | 3.5 | 5 | 8 | 13 |





HYDROFIRE ΕΠΕ
Buildings - Industry - Marine – Waterworks
END OF AG. PANTELEIMONOS Str. (ELEONAS)
GR-12241 EGALEO,
Tel.: +30 210 3412 749-750 Fax: +30 210 3412 406
www.hydrofire.gr, email: info@hydrofire.gr



GENEBRE

CURVA PRESIÓN - TEMPERATURA / PRESSURE - TEMPERATURE RATING

