



HYDROFIRE EPE

Buildings - Industry - Marine - Waterworks

END OF AG. PANTELEIMONOS Str. (ELEONAS)
GR-12241 EGALEO,

Tel.: +30 210 3412 749-750 Fax: +30 210 3412 406

www.hydrofire.gr, email: info@hydrofire.gr



Ref. : BS 1143R pas

Rev. : Initial

Date : 24/12/2014

Page : 1/1

BALL VALVE WITH HANDLE AND FIXED STEM EXTENSION

BS 1143R



APPLICATION

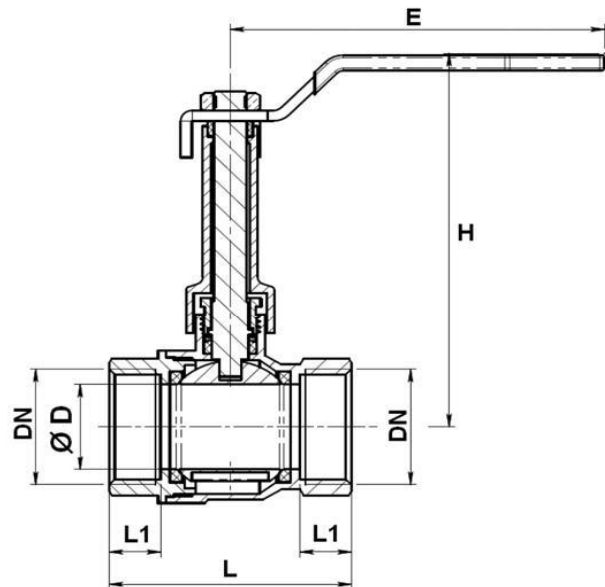
General use: water distribution.

GENERAL CHARACTERISTICS

Full bore.
Fixed stem extension.
Solid ball.
PTFE packing.
Flat steel handle.
Reversible handle.

CONSTRUCTION

12	Bonnet (internal)	Brass CW 617 N according to EN 12165
12	Bonnet (external)	Nickel brass CW 617 N according to EN 12165
11	Seat	PTFE
10	Ball	Chromed brass
9	Body (internam)	Brass CW 617 N according to EN 12165
9	Body (external)	Nickel brass CW 617 N according to EN 12165
8	Packing	PTFE
7	Ring	Brass
6	Stem	Brass
5	Packing nut	Brass
4	Stem extension	Nickel brass
3	Ring	PTFE
2	Handle	Steel Q235 with plastic cover
1	Handle nut	Steel Q235
pos.	Description	Material



DIMENSIONS

DN		ØD	L	L1	L4	E	H	C	ØY	Weight (kg)
mm	inch									
10	3/8"	10	44	12	-	81,5	83,7	4,8	6	0,175
15	1/2"	14,5	49	12	52	81,5	84,4	4,8	8	0,233
20	3/4"	19	56	13	52	104	88,4	4,8	8	0,307
25	1"	24,5	66	14	-	102	107,5	5,8	9	0,468
32	1 1/4"	31	76	15	-	120	127,8	7,8	11,5	0,729
40	1 1/2"	39,5	87	16	-	120	134	7,8	11,8	0,978
50	2"	49,5	103	18	-	142	146	7,8	13	1,527

WORKING CONDITIONS

Maximum working temperature : -10°C / + 120°C

Maximum working pressure : 30 bar - (DN 3/8" - DN 1")
20 bar - (DN 1 1/4" - DN 1 1/2")
16 bar - DN 2"

AGREMENT ET NORMES

Fabrication according to ISO 9001 : 2008
DIRECTIVE 2014/68/UE : Products excluded from directive (Article 1, § 3.2)
French water agreement A.C.S. N° 14 ACC LY 469
Threaded male and female BSP cylindrical ends according to ISO 228-1

Stem dimensions

