



# HYDROFIRE ΕΠΕ

Buildings - Industry - Marine – Waterworks  
END OF AG. PANTELEIMONOS Str. (ELEONAS)  
GR-12241 EGALEO,  
Tel.: +30 210 3412 749-750 Fax: +30 210 3412 406  
[www.hydrofire.gr](http://www.hydrofire.gr), email: [info@hydrofire.gr](mailto:info@hydrofire.gr)



## CARRO PORTAMONITORE Mod. FI – CPF MONITOR TRAILER Mod. FI – CPF

CE



### SUPPORT TANK TRAILER Mod. FI-CPF

Telaio e n°2 contenitore manichette:  
acciaio al carbonio

Verniciatura: Rosso RAL 3000

#### Note

Peso Tot. a vuoto: 60 kg  
Schiumogeno escluso

Trailer frame and n°2 hose box: carbon steel

Paint: Red RAL 3000

#### Notes

Empty Tot. weight: 60 kg  
Foam is not included

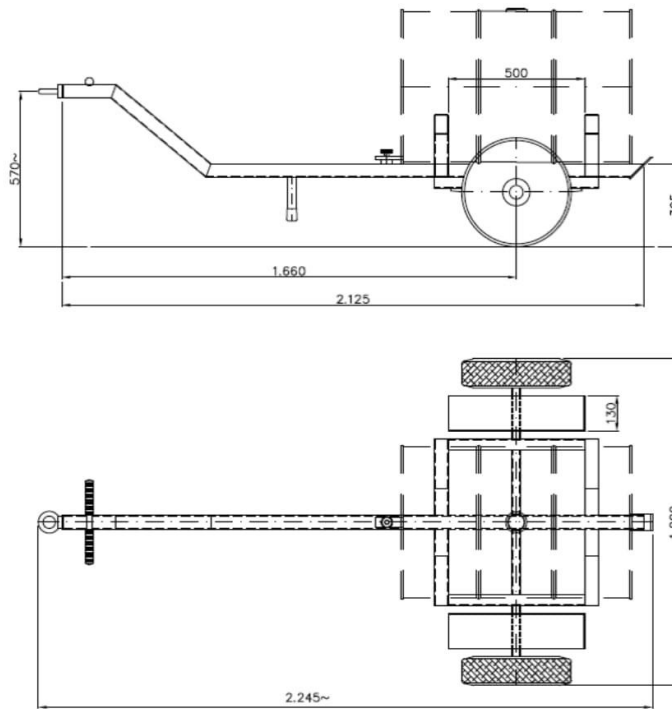




# HYDROFIRE ΕΠΕ

Buildings - Industry - Marine – Waterworks  
END OF AG. PANTELEIMONOS Str. (ELEONAS)  
GR-12241 EGALEO,

Tel.: +30 210 3412 749-750 Fax: +30 210 3412 406  
[www.hydrofire.gr](http://www.hydrofire.gr), email: [info@hydrofire.gr](mailto:info@hydrofire.gr)



**Nota: velocità massima di traino 10-20 km/h**  
**Note: max speed allowed 10-20 km/**

