



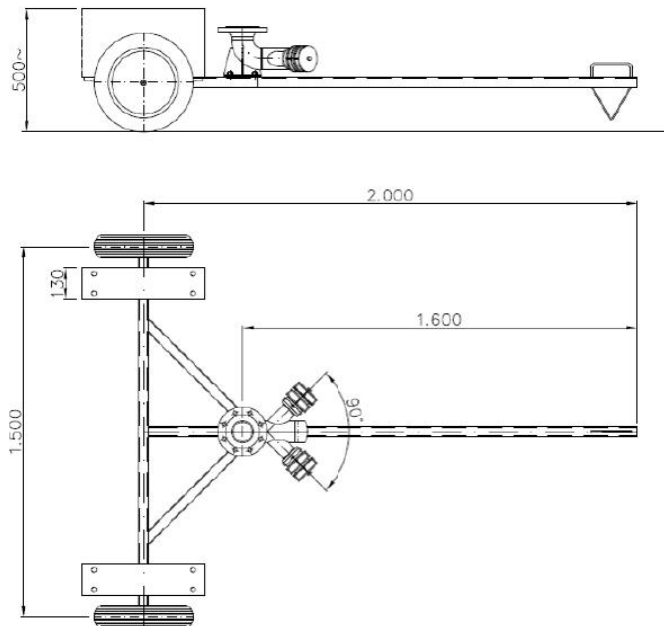
HYDROFIRE ΕΠΕ

Buildings - Industry - Marine – Waterworks
END OF AG. PANTELEIMONOS Str. (ELEONAS)
GR-12241 EGALEO,

Tel.: +30 210 3412 749-750 Fax: +30 210 3412 406
www.hydrofire.gr, email: info@hydrofire.gr



CARRO PORTAMONITORE Mod. FI – CPM MONITOR TRAILER Mod. FI – CPM



MONITOR TRAILER FI-CPM

Telaio, n°2 contenitore manichette e tubo 3"
alimentazione: acciaio al carbonio

Trailer frame, n°2 hose box and pipe feeding
3": carbon steel

Connessione monitor: DN 80 UNI PN 16
Connessione alimentazione: n°2 raccordi
UNI 70 M o BSS 336/ Storz su richiesta

Monitor connection flange: DN 80 UNI PN 16
Pipe feeding connection: n°2 coupling UNI
70 M
or BSS 336/Storz on request

Verniciatura: Rosso RAL 3000

Paint: Red RAL 3000

Nota: velocità massima di traino 10-20 km/h

Note: max allowed speed 10-20 km/