



HYDROFIRE ΕΠΕ

Buildings - Industry - Marine – Waterworks
 END OF AG. PANTELEIMONOS Str. (ELEONAS)
 GR-12241 EGALEO,

Tel.: +30 210 3412 749-750 Fax: +30 210 3412 406
www.hydrofire.gr, email: info@hydrofire.gr



Ref. : F 4240

Rev. : Initial

Date : 24/10/2013

Page : 1/1

H TYPE STRAINER PN16

F 4240



Tecofi'φ
 VALVE DESIGNER - FRANCE

APPLICATION

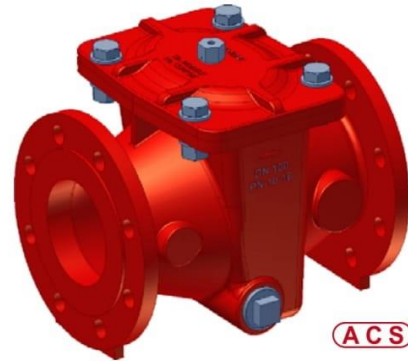
Pumping and water distribution.

GENERAL CHARACTERISTICS

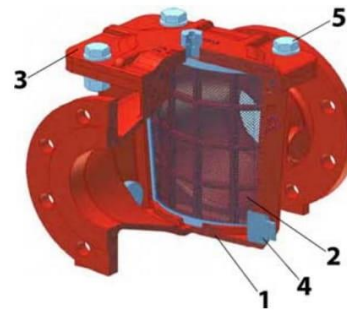
Compact and robust design.
 Ductile iron body and bonnet.
 Food epoxy coating.
 Curved stainless steel strainer.
 Standard mesh: 2 x 2 mm.
 Drain plug (1 1/4 ").
 Flanged PN16.

CONSTRUCTION

| | | | |
|-------------|-------------|--------------------|-----------------------|
| 5 | 4 | Bolt | Stainless steel |
| 4 | 1 | Drain plug | Stainless steel |
| 3 | 1 | Bonnet | Ductile iron GGG40 |
| 2 | 1 | Strainer | Stainless steel |
| 1 | 1 | Body | Ductile iron GGG40 |
| Pos. | Q-ty | Description | Material |

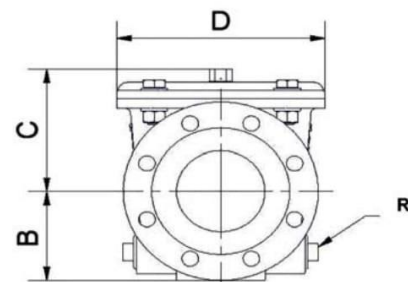
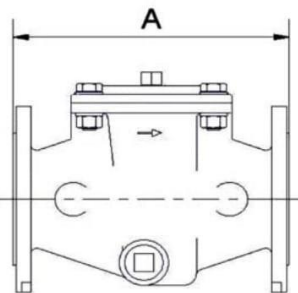


ACS



DIMENSIONS

| DN | | A | B | C | D | R | Mesh (mm) | Weight (kg) |
|-----|------|------|---------|-----|------|-------|-----------|-------------|
| mm | inch | | | | | | | |
| 80 | 3" | 300 | 103 | 15 | 235 | 1"1/4 | 2x2 | 22 |
| 100 | 4" | 300 | 150 | 150 | 235 | 1"1/4 | 2x2 | 23 |
| 125 | 5" | 400 | 125 | 191 | 400 | 1"1/4 | 2x2 | 46 |
| 150 | 6" | 400 | 142.5 | 191 | 400 | 1"1/4 | 2x2 | 48 |
| 200 | 8" | 500 | 70 | 224 | 460 | 1"1/4 | 2x2 | 76 |
| 250 | 10" | 580 | 225 | 295 | 560 | 1"1/4 | 2x2 | 165 |
| 300 | 12" | 610 | 227.5 | 385 | 680 | 2" | 2x2 | 230 |
| 350 | 14" | 650 | 227.5 | 380 | 680 | 2" | 2x2 | 250 |
| 400 | 16" | 800 | 310 | 500 | 900 | 2" | 2x2 | 410 |
| 450 | 18" | 800 | 335 | 500 | 900 | 2" | 2x2 | 430 |
| 500 | 20" | 950 | 485/485 | 609 | 1190 | 3" | 2x2 | 770 |
| 600 | 24" | 1100 | 485 | 609 | 1190 | 3" | 2x2 | 850 |



WORKING CONDITIONS

Maximum working pressure : 16 bar

STANDARDS

Pressure test according to EN 12266-1,
 DIN 3230, BS 5154 and ISO 5208 :
 Body : 24 bar.
 Flanges according to EN1092-2 ISO PN16.