



HYDROFIRE ΕΠΕ

Buildings - Industry - Marine - Waterworks
 END OF AG. PANTELEIMONOS Str. (ELEONAS)
 GR-12241 EGALEO,

Tel.: +30 210 3412 749-750 Fax: +30 210 3412 406
 www.hydrofire.gr, email: info@hydrofire.gr



Ref. : F 3240N.pas
 Rev. : D
 Date : 22/08/2016
 Page : 1/1

FLANGED TYPE "Y" STRAINER PN16

F 3240N

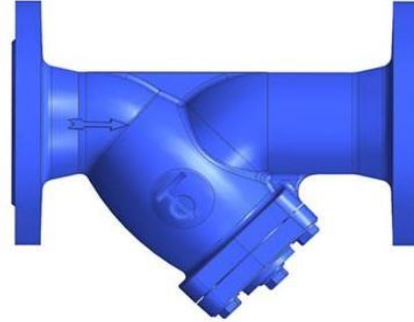


APPLICATION

Heating system and undrinkable domestic water,
 steam and other compatible fluids.

GENERAL CHARACTERISTICS

"Y" body and bonnet in cast iron from DN15 to DN300 and in ductile iron for DN350 and DN450. Epoxy coating RAL 5019 with thickness 80-100µm. Dismountable stainless steel screen. Drain plug G3/8 (DN15-20); G1/2 (DN25-100); G3/4 (DN125-400) Flanged ends PN 16.



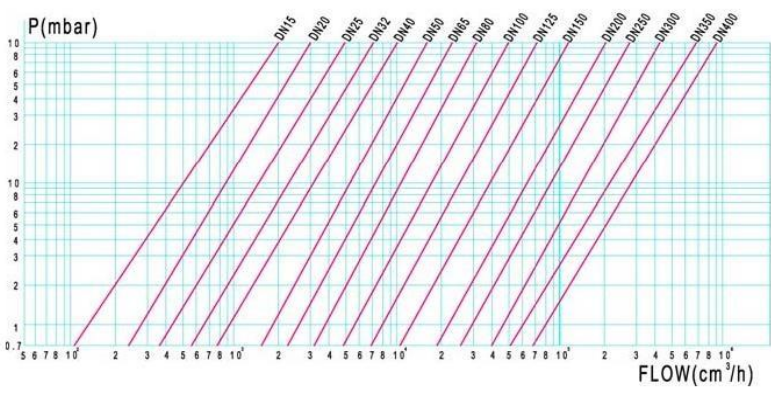
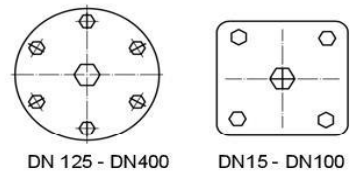
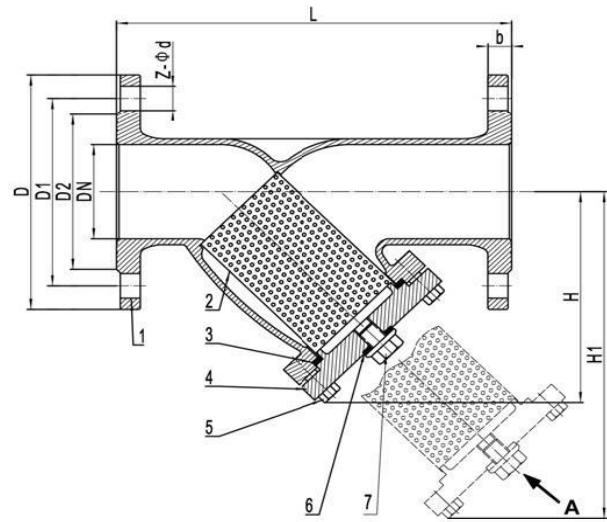
CONSTRUCTION

7	1	Drain plug	Steel A 105	
6		Gasket	Graphite	
5		Screw	Steel A 105	
4	1	Bonnet	Cast iron EN-GJL-250 (DN15-300) Ductile iron EN-GJS-400 (DN350-400)	
3	1	Gasket	Graphite	
2	1	Screen	Stainless steel 304 X5CrNi 18-10	DIN: X5CrNi18 10 ASTM: A 182 AISI 304 BS: 1449-2 304 S15
1	1	Body	Cast iron EN-GJL-250 (DN15-300) Ductile iron EN-GJS-400 (DN350-400)	
Pos.	Q-ty	Description	Material	

** 4 for DN15-100 and 6 for DN125-400

DIMENSIONS

DN	L	ØD	ØD1	ØD2	b	z	Ød	H	H1	Weight (kg)	Mesh (mm)
15	130	95	65	45	16	4	14	74	110	3	1
20	150	105	75	58	16	4	14	90	130	3.2	
25	160	115	85	68	16	4	14	95	160	4	
32	180	140	100	78	16	4	18	119	171	6	
40	200	150	110	88	18	4	18	130	195	7	
50	230	165	125	102	20	4	18	145	218	8	1.3
65	290	185	145	122	20	4	18	160	248	12	
80	310	200	160	138	20	8	18	185	283	14	
100	350	220	180	158	22	8	18	225	351	18	
125	400	250	210	188	26	8	18	268	418	32	
150	480	285	240	212	26	8	23	295	468	45	1.6
200	600	340	295	268	30	12	23	316	529	80	
250	730	405	355	320	32	12	23	420	662	130	
300	850	460	410	378	36	12	27	455	735	170	
350	980	520	470	438	30,5	16	27	565	915	240	
400	1100	580	525	490	32	16	30	635	1041	345	



WORKING CONDITIONS

Maximum working pressure :16 bar .
 Maximum temperature: 200°C
 Pressure test according to standards
 EN 12266-1, DIN 3230, BS 5154 and ISO 5208 :
 Body : 24 bar.

STANDARDS

Face to face according to standards EN 558-1 serie 1 and DIN 3202/1 serie F1.
 Flanges drilled according to EN 1092-2 PN16.

The photographs and technical art works are not contractual. The specifications of the presented products are open to modifications without previous advice.