



HYDROFIRE ΕΠΕ

Buildings - Industry - Marine – Waterworks
END OF AG. PANTELEIMONOS Str. (ELEONAS)
GR-12241 EGALEO,
Tel.: +30 210 3412 749-750 Fax: +30 210 3412 406
www.hydrofire.gr, email: info@hydrofire.gr



Victaulic® FireLock™ Series FL-SR/ST/CMSA Storage, Standard Response CMSA Pendent Sprinklers K25.2 (36.8)



1.0 PRODUCT DESCRIPTION

STANDARD RESPONSE STORAGE SPRINKLER	
SIN	V4601
SPRINKLER TYPE	NFPA-CMSA/FM-Standard Response Storage
SPRINKLER RESPONSE	SR
ORIENTATION	Pendent
K-FACTOR ¹	25.2 Imp./36.8 S.I.
CONNECTION	1"NPT /25 mm BSPT/IGS™ Grooved
MAX. WORKING PRESSURE	175 psi (1200 kPa)

AVAILABLE WRENCHES		
SPRINKLER	V46 Open End	3/16 Hex-Bit (V9)
PENDENT	■	■

Factory Hydrostatic Test: 100% @ 500 psi/3447 kPa/34 bar

Min. Operating Pressure: FM: 7 psi/48 kPa/5 bar

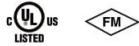
¹ For K-Factor when pressure is measured in bar, multiply S.I. units by 10.0.

ALWAYS REFER TO ANY NOTIFICATIONS AT THE END OF THIS DOCUMENT REGARDING PRODUCT INSTALLATION, MAINTENANCE OR SUPPORT.



victaulic.com

2.0 CERTIFICATION/LISTINGS



STANDARD RESPONSE PENDENT APPROVALS/LISTINGS		
	cULus (NFPA)	FM
SIN	V4601	
Nominal K Factor Imperial		25.2
Nominal K Factor S.I. ²		36.3
Sprinkler Type	CMSA	Standard Response Storage
System Type		Wet
Response Type		Standard
Temperature Rating	165°F/74°C 212°F/100°C 286°F/141°C	165°F/74°C 212°F/100°C 286°F/141°C
Maximum Area of Coverage	See NFPA 13	100ft ² /9.1m ²
Minimum Area of Coverage	80ft ² /7.4m ²	80ft ² /7.4m ²
Maximum Slope Ceiling	2 in 12/10.5°	2 in 12/10.5°
Maximum Spacing	See NFPA 13	Datasheet 2-0
Minimum Spacing	8ft/2.4m	8ft/2.4m
Deflector to Ceiling Distance ³	See NFPA 13	4" – 11"/100mm – 279mm
Minimum Deflector to Top of Storage	3ft/0.9m	3ft/0.9m
Minimum Deflector Distance from Walls	4"/100mm	4"/100mm
Obstruction Criteria	See NFPA 13	Datasheet 2-0
Minimum Aisle Width	See NFPA 13	Datasheet 2-0
Hose Stream Allowance and Duration	See NFPA 13	Datasheet 8-9
Storage Type		
Open Frame (that is, no solid shelves) Single, Double, Multiple-Row, or Portable Rack Storage of Class I-IV and Group A or B Plastics	See NFPA 13	Datasheet 8-9
Solid Pile or Palletized Storage of Class I-IV and Group A or B Plastics	See NFPA 13	Datasheet 8-9
Idle Pallet Storage	N/A	Datasheet 8-24
Rubber Tire Storage	N/A	Datasheet 2-0 and 8-3
Rolled Paper Storage (Refer to the standard.)	N/A	Datasheet 8-21
Flammable Liquid Storage (Refer to the standard.)	N/A	Datasheet 7-29
Aerosol Storage (Refer to the standard.)	N/A	Datasheet 7-31
Automotive Components in Portable Racks (Control mode only, refer to the standard.)	N/A	N/A

² For K-Factor when pressure is measured in bar, multiply S.I. units by 10.0.

³ Distance is taken from the center of the thermal element for FM.

NOTES

- Listings and approval as of printing.
- V4601 sprinkler may also be used as a control mode specific application sprinkler (CMSA) in accordance the Alternative Sprinkler Systems Design chapter for NFPA 13 (Chapter 24 in the 2019 ed.) based on testing completed at FM Global. Specific Application design criteria is described Section 5.0.
- CMSA criteria is based on the original FM Approval for the V4601 sprinkler, which is included in Chapter 21 (2013, 2016 ed.) and Chapter 24 (2019 ed.) of NFPA 13. Additional design criteria for the Model V4601 sprinkler may be found in FM Global Property Loss Prevention Data Sheet 8-9. The Model V4601 sprinkler is described as a standard-response K25.2 pendent storage sprinkler in FM Global Data Sheet 8-9.
- V4601 Pendent Sprinklers are UL Listed as a standard response, control mode specific application (CMSA) sprinkler for storage applications in accordance with the design requirements of NFPA 13.
- V4601 is also FM Approved as a control mode specific application (CMSA) to be used in accordance with design requirements of NFPA 13.
- The Model V4601 is FM Approved as a standard response standard coverage sprinkler for storage applications in accordance with FM Global Data Sheets. Applicable designs are referenced from FM Global Loss Prevention Datasheets in Section 5.0 of this document.
- V4601 sprinkler may also be used as a control mode specific application sprinkler (CMSA) in accordance the Alternative Sprinkler Systems Design chapter for NFPA 13 (Chapter 24 in the 2019 ed.) based on testing completed at FM Global. Specific Application design criteria is described Section 5.0.



HYDROFIRE ΕΠΕ

Buildings - Industry - Marine – Waterworks
END OF AG. PANTELEIMONOS Str. (ELEONAS)
GR-12241 EGALEO,

Tel.: +30 210 3412 749-750 Fax: +30 210 3412 406
www.hydrofire.gr, email: info@hydrofire.gr



victaulic.com

3.0 SPECIFICATIONS – MATERIAL

Deflector: Bronze

Load Screw: Stainless steel

Pip Cap: Brass

Spring Seal: PTFE coated Beryllium nickel alloy

Frame: Brass

Link: Nickel

Lever: Monel

Strut: Monel

Coupling: Refer to Victaulic [publication 10.65](#)

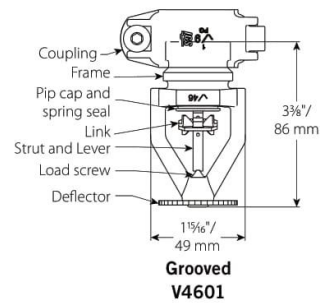
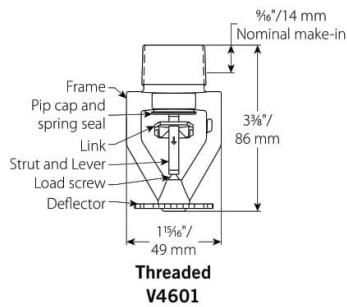
Installation Wrench: Ductile iron

Sprinkler Frame Finishes: Plain brass

NOTE

- For cabinets and other accessories refer to separate sheet.

4.0 DIMENSIONS



5.0 PERFORMANCE

Sprinkler is to be installed and designed as per NFPA, FM Datasheets, or any local standards.



victaulic.com

5.0 PERFORMANCE

Sprinkler is to be installed and designed as per NFPA, FM Datasheets, or any local standards.

FM 8-9 Designs

WET SYSTEMS						
	FM Loss Prevention Datasheet 8-9	Table 2	Table 3	Table 4	Table 5	Table 6
	Arrangement	Solid-Piled, Palletized, Shelf, and Bin-Box Arrangements				
	Commodity	Protection of Class 1, 2, and 3 Commodities	Protection of Class 4 and Cartoned Unexpanded Plastic Commodities	Protection of Cartoned Expanded Plastic Commodities	Protection of Uncartoned Unexpanded Plastic Commodities	Protection of Uncartoned Expanded Plastic Commodities
Ceiling Height ft (m)	10 (3.0)	9@7 (0.5)	9@7 (0.5)	12 @ 7 (0.5)	12 @ 7 (0.5)	12 @ 7 (0.5)
	15 (4.5)	N/A	10@7 (0.5)	N/A	N/A	N/A
	20 (6.0)	9@7 (0.5)	10@7 (0.5)	12 @ 7 (0.5)	12@8 (0.6)	12@8 (0.6)
	25 (7.5)	10@7 (0.5)	10@7 (0.5)	12@10 (0.7)	12@10 (0.7)	12@10 (0.7)
	30 (9.0)	9@10 (0.7)	9@10 (0.7)	25@10 (0.7)	25@10 (0.7)	N/A
	35 (10.5)	9@30 (2.1)	9@30 (2.1)	N/A	N/A	N/A
	40 (12.0)	9@30 (2.1)	9@30 (2.1)	N/A	N/A	N/A

WET SYSTEMS						
	FM Loss Prevention Datasheet 8-9	Table 7	Table 8	Table 9	Table 10	Table 11
	Arrangement	Open-Frame Storage Racks				
	Commodity	Protection of Class 1, 2 and 3 Commodities	Protection of Class 4 and Cartoned Unexpanded Plastic Commodities	Protection of Cartoned Expanded Plastic Commodities	Protection of Uncartoned Unexpanded Plastic Commodities	Protection of Uncartoned Expanded Plastic Commodities
Ceiling Height ft (m)	10 (3.0)	9@7 (0.5)	9@7 (0.5)	15@7 (0.5)	15@7 (0.5)	15@7 (0.5)
	15 (4.5)	N/A	10@7 (0.5)	15@7 (0.5)	12@15 (1.0)	15@10 (0.7)
	20 (6.0)	9@ 10 (0.7)	12 @ 7 (0.5)	15@15 (1.0)	12@15 (1.0)	N/A
	25 (7.5)	9@ 10 (0.7)	12@10 (0.7)	N/A	N/A	N/A
	30 (9.0)	9@ 10 (0.7)	12@15 (1.0)	N/A	N/A	N/A
	35 (10.5)	9@30 (2.1)	9@30 (2.1)	N/A	N/A	N/A
	40 (12.0)	9@30 (2.1)	9@30 (2.1)	N/A	N/A	N/A

Note: Highlighted cells have a 250 gpm 1 hour duration for hose stream.

Information taken from FM8-9 as of Jan 1st 2020 be sure to check the most current version of the FM Datasheets, information for reference only.









HYDROFIRE ΕΠΕ

Buildings - Industry - Marine – Waterworks
END OF AG. PANTELEIMONOS Str. (ELEONAS)
GR-12241 EGALEO,
Tel.: +30 210 3412 749-750 Fax: +30 210 3412 406
www.hydrofire.gr, email: info@hydrofire.gr



victaulic.com

6.0 NOTIFICATIONS

 WARNING	
    	<ul style="list-style-type: none"> • Read and understand all instructions before attempting to install any Victaulic products. • Always verify that the piping system has been completely depressurized and drained immediately prior to installation, removal, adjustment, or maintenance of any Victaulic products. • Wear safety glasses, hardhat, and foot protection. <p>Failure to follow these instructions could result in death or serious personal injury and property damage.</p>
<ul style="list-style-type: none"> • These products shall be used only in fire protection systems that are designed and installed in accordance with current, applicable National Fire Protection Association (NFPA 13, 13D, 13R, etc.) standards, or equivalent standards, and in accordance with applicable building and fire codes. These standards and codes contain important information regarding protection of systems from freezing temperatures, corrosion, mechanical damage, etc. • The installer shall understand the use of this product and why it was specified for the particular application. • The installer shall understand common industry safety standards and potential consequences of improper product installation. • It is the system designer's responsibility to verify suitability of materials for use with the intended fluid media within the piping system and external environment. • The material specifier shall evaluate the effect of chemical composition, pH level, operating temperature, chloride level, oxygen level, and flow rate on materials to confirm system life will be acceptable for the intended service. <p>Failure to follow installation requirements and local and national codes and standards could compromise system integrity or cause system failure, resulting in death or serious personal injury and property damage.</p>	

7.0 REFERENCE MATERIALS

- [I-40: Victaulic FireLock™ Automatic Sprinklers Installation and Maintenance Instructions](#)
- [I-V9: Style V9 Victaulic FireLock™ IGS™ Installation-Ready™ Sprinkler Coupling Installation Instructions](#)

User Responsibility for Product Selection and Suitability

Each user bears final responsibility for making a determination as to the suitability of Victaulic products for a particular end-use application, in accordance with industry standards and project specifications, as well as Victaulic performance, maintenance, safety, and warning instructions. Nothing in this or any other document, nor any verbal recommendation, advice, or opinion from any Victaulic employee, shall be deemed to alter, vary, supersede, or waive any provision of Victaulic Company's standard conditions of sale, installation guide, or this disclaimer.

Intellectual Property Rights

No statement contained herein concerning a possible or suggested use of any material, product, service, or design is intended, or should be constructed, to grant any license under any patent or other intellectual property right of Victaulic or any of its subsidiaries or affiliates covering such use or design, or as a recommendation for the use of such material, product, service, or design in the infringement of any patent or other intellectual property right. The terms "Patented" or "Patent Pending" refer to design or utility patents or patent applications for articles and/or methods of use in the United States and/or other countries.

Note

This product shall be manufactured by Victaulic or to Victaulic specifications. All products to be installed in accordance with current Victaulic installation/assembly instructions. Victaulic reserves the right to change product specifications, designs and standard equipment without notice and without incurring obligations.

Installation

Reference should always be made to the Victaulic installation handbook or installation instructions of the product you are installing. Handbooks are included with each shipment of Victaulic products, providing complete installation and assembly data, and are available in PDF format on our website at www.victaulic.com.

Warranty

Refer to the Warranty section of the current Price List or contact Victaulic for details.

Trademarks

Victaulic and all other Victaulic marks are the trademarks or registered trademarks of Victaulic Company, and/or its affiliated entities, in the U.S. and/or other countries.