



# HYDROFIRE ΕΠΕ

Buildings - Industry - Marine – Waterworks  
 END OF AG. PANTELEIMONOS Str. (ELEONAS)  
 GR-12241 EGALEO,  
 Tel.: +30 210 3412 749-750 Fax: +30 210 3412 406  
[www.hydrofire.gr](http://www.hydrofire.gr), email: [info@hydrofire.gr](mailto:info@hydrofire.gr)



## Dry-Barrel Fire Hydrant

## FIG. F0733-250

### Specifications

- Meet or Exceed the Requirements of AWWA C502 Standard.
- NFPA 1963 Standard Nozzle Threads.
- Traffic Feature with Duplex Stainless Steel Safety Stem Coupling.
- Excellent Flow Characteristics.
- Multiple Nozzle Configurations.
- Mechanical Joint Base Elbow.
- Dry Top Design with O-ring Sealed Oil Reservoir.
- Dual Auto-frost Bronze Drain Valves as Standard.
- UL 246 Listed and FM 1510 Approved.
- Rated Working Pressure 250 psi.

### Corrosion Protection

- Fusion Bonded Epoxy Coated Interior and Exterior to AWWA C550 Standard.

### Options

- Monitor Style Available.
- Monitor Flange: ASTM B16.1 Class 125, Size 4" or 3".
- Flange Base Elbow.
- Multiple Nozzle Configurations

### Material Specifications

Part	Material	ASTM Specification
Operating Nut	Bronze	B62 C83600
Hold Down Nut	Bronze	B62 C83600
Bonnet	Gray Cast Iron	A126 Class B
Bonnet Bolts and Nuts	Carbon Steel	A307 Grade B
Bonnet Gasket	Rubber	D2000 NBR
Nozzle	Bronze	B62 C83600
Nozzle Cap	Gray Cast Iron	A126 Class B
Nozzle Gasket	Rubber	D2000 NBR
Nozzle O-Ring	Rubber	D2000 NBR
Nozzle Gasket	Rubber	D2000 NBR
Cap Chain	Carbon Steel	A105
Standpipe Upper	Ductile Iron	A536 Grade 65-45-12
Safety Coupling	Duplex Stainless Steel	A890 J92205
Cotter Pin	Stainless Steel	A276 Type 304
Clevis Pin	Stainless Steel	A276 Type 304
Safety Flange	Gray Cast Iron	A126 Class B
Flange Bolts and Nuts	Carbon Steel	A307 Grade B
Standpipe Lower	Ductile Iron	A536 Grade 65-45-12
Upper Rod	Carbon Steel	A576 Grade B
Lower Rod	Carbon Steel	A576 Grade B
Valve Top Plate	Bronze	B62 C83600
Drain Valve Facing	Plastic	
Seat Ring	Bronze	B62 C83600
Drain Ring	Bronze	B62 C83600

### Schematic



### Buried Depth Dimensions (inch)

Options	L (Buried Depth)
1	1' - 0"
2	2' - 0"
3	3' - 0"
4	3' - 6"
5	4' - 0"
6	4' - 6"
7	5' - 0"
8	5' - 6"
9	6' - 0"
10	6' - 6"
11	7' - 0"

### Material Specifications

Part	Material	ASTM Specification
Drain Housing	Ductile Iron	A536 Grade 65-45-12
Main Valve	Rubber	D2000 NBR
Valve Bottom Plate	Ductile Iron	A536 Grade 65-45-12
Bottom Plate Nut	Ductile Iron	A536 Grade 65-45-12
Elbow	Ductile Iron	A536 Grade 65-45-12

### Notes

• Designs, materials and specifications shown are subject to change without notice due to the continuous development of our products.



# HYDROFIRE ΕΠΕ

Buildings - Industry - Marine – Waterworks  
 END OF AG. PANTELEIMONOS Str. (ELEONAS)  
 GR-12241 EGALEO,

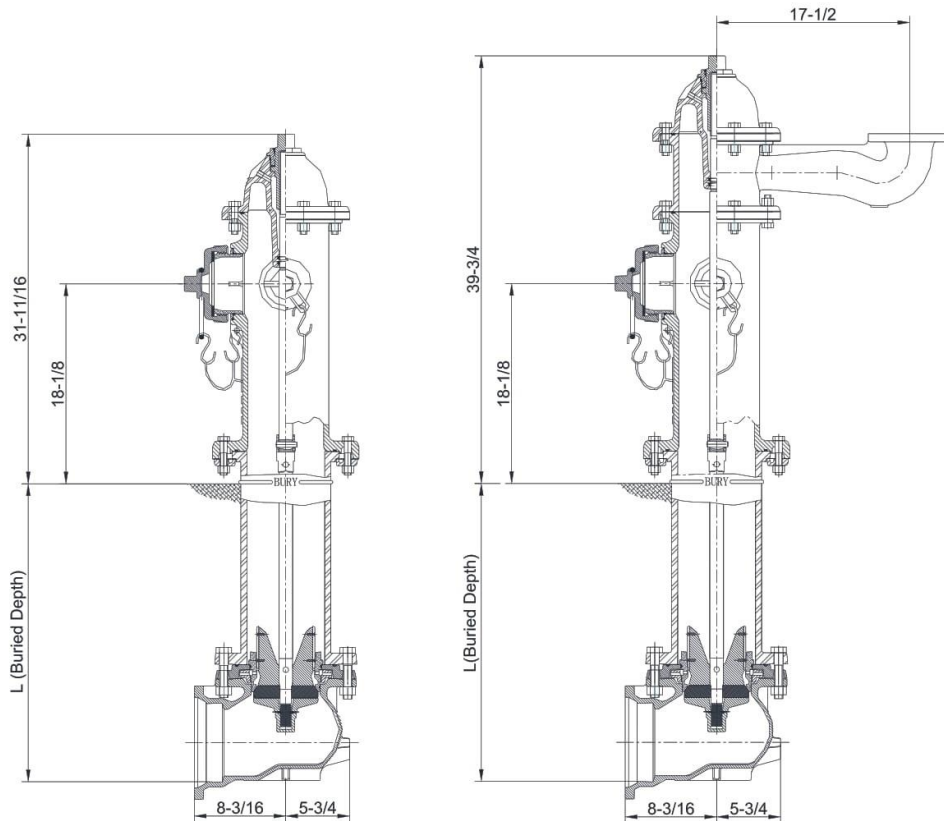
Tel.: +30 210 3412 749-750 Fax: +30 210 3412 406  
 www.hydrofire.gr, email: info@hydrofire.gr



## Dry-Barrel Fire Hydrant

FIG. F0733-250

### Schematic



### Style

Style No	Hose outlet	Pumper Nozzle Style	Monitor	Way
F0733-250	-2H0P	2 x 2.5"	N/A	2-Way
F0733-250	-2H0PM	2 x 2.5"	N/A	2-Way
F0733-250	-2H1P	2 x 2.5"	1x 4" or 4.5" Nozzle, or 5" Storz	N/A
F0733-250	-2H1PM	2 x 2.5"	1x 4" or 4.5" Nozzle, or 5" Storz	Yes
F0733-250	-3H1P	3 x 2.5"	1x 4" or 4.5" Nozzle, or 5" Storz	N/A
F0733-250	-3H1PM	3 x 2.5"	1x 4" or 4.5" Nozzle, or 5" Storz	Yes
F0733-250	-4H0P	4 x 2.5"	N/A	N/A
F0733-250	-4H0PM	4 x 2.5"	N/A	Yes
F0733-250	-2H2P	2 x 2.5"	2 x 4" or 4.5" Nozzle, or 5" Storz	N/A
F0733-250	-2H2PM	2 x 2.5"	2 x 4" or 4.5" Nozzle, or 5" Storz	Yes

#### Notes

• Designs, materials and specifications shown are subject to change without notice due to the continuous development of our products.