



# HYDROFIRE ΕΠΕ

Buildings - Industry - Marine – Waterworks

END OF AG. PANTELEIMONOS Str. (ELEONAS)

GR-12241 EGALEO,

Tel.: +30 210 3412 749-750 Fax: +30 210 3412 406

www.hydrofire.gr, email: info@hydrofire.gr



IPS CARBON STEEL PIPE – FIRE PROTECTION VALVES

10.17

## FireLock® Ball Valve

SERIES 728

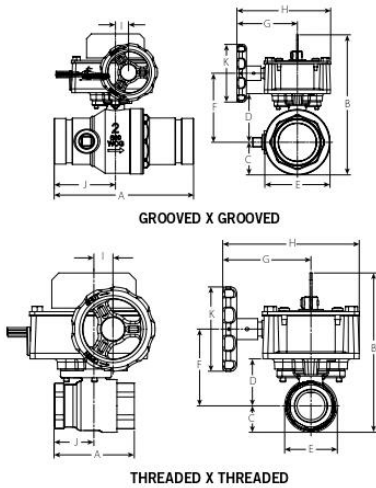


SEE VICTAULIC PUBLICATION 10.01 FOR DETAILS

The Series 728 FireLock valve is a full port, ball valve that is UL/FM rated for 365psi/25 BAR service in all sizes (LPCB and VdS listed for 20 BAR services). Available with grooved or threaded ends (NPT), the valve body is brass. The ball is chrome plated brass with a stainless steel stem. Reinforced seats aid ease of operation and provide a durable, corrosion-free seat. Flow characteristics exceed UL Specification 1091 and FM Approval Standard 1112. The valve is approved for indoor and outdoor use.



### DIMENSIONS



Size	Dimensions – Inches/mm											Approx. Wgt. Each
	Nominal Inches/mm	E to E A	Height B	C	D	E	F	G	H	I	J	
1/25 Thd. X Thd.	2.84 72	4.74 120	0.91 23	1.67 42	1.82 46	2.40 61	3.15 80	4.86 123	0.68 17	1.42 36	3.00 76	5.1 2.3
1 ¼/32 Thd. X Thd.	3.31 84	4.95 126	1.10 28	1.88 48	2.20 56	2.61 66	3.15 80	4.86 123	0.68 17	1.65 42	3.00 76	5.8 2.6
1 ½/40 Thd. X Thd.	3.66 92	5.13 130	1.29 33	2.06 52	2.58 66	2.79 71	3.15 80	4.86 123	0.68 17	1.83 47	3.00 76	6.6 3.0
2/50 Thd. X Thd.	4.33 110	5.49 140	1.69 43	2.42 62	3.38 86	3.15 80	3.15 80	4.86 123	0.68 17	2.16 55	3.00 76	8.5 3.9
1 ¼/32 Grv. X Grv.	7.25 184	4.95 126	1.10 28	1.87 48	2.20 56	2.61 66	3.15 80	4.86 123	0.68 17	3.19 81	3.00 76	7.5 3.4
1 ½/40 Grv. X Grv.*	7.25 184	5.17 131	1.29 33	2.10 53	2.58 66	2.83 72	3.15 80	4.86 123	0.68 17	3.19 81	3.00 76	8.5 3.9
2/50 Grv. X Grv.*	7.25 184	5.47 139	1.69 43	2.40 61	3.38 86	3.13 80	3.15 80	4.86 123	0.68 17	3.19 81	3.00 76	10.5 4.8

\* 1 ½ and 2 ¼/40 and 50mm sizes feature a ½"/12mm tap (Groove by Groove only).

### PERFORMANCE

SIZE Nominal Inches/mm	Equivalent Feet/meters of Pipe	SIZE Nominal Inches/mm	Equivalent Feet/meters of Pipe
1/25 Thread X Thread	0.5 0.2	1 ¼/32 Groove X Groove	0.7 0.2
1 ¼/32 Thread X Thread	1.0 0.3	1 ½/40 Groove X Groove	0.7 0.2
1 ½/40 Thread X Thread	1.0 0.3	2/50 Groove X Groove	0.7 0.2
2/50 Thread X Thread	1.0 0.3		

### JOB/OWNER

System No. \_\_\_\_\_

Location \_\_\_\_\_

### CONTRACTOR

Submitted By \_\_\_\_\_

Date \_\_\_\_\_

### ENGINEER

Spec Sect \_\_\_\_\_ Para \_\_\_\_\_

Approved \_\_\_\_\_

Date \_\_\_\_\_

www.victaulic.com

VICTAULIC IS A REGISTERED TRADEMARK OF VICTAULIC COMPANY. © 2011 VICTAULIC COMPANY. ALL RIGHTS RESERVED.

REV\_I



10.17\_1



# HYDROFIRE ΕΠΕ

Buildings - Industry - Marine – Waterworks

END OF AG. PANTELEIMONOS Str. (ELEONAS)

GR-12241 EGALEO,

Tel.: +30 210 3412 749-750 Fax: +30 210 3412 406

[www.hydrofire.gr](http://www.hydrofire.gr), email: [info@hydrofire.gr](mailto:info@hydrofire.gr)



IPS CARBON STEEL PIPE – FIRE PROTECTION VALVES

10.17

## FireLock® Ball Valve

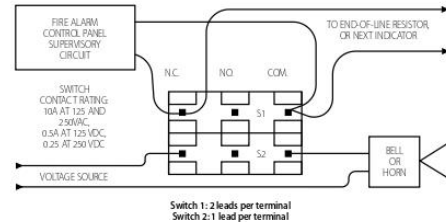
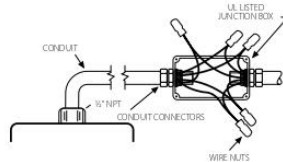
SERIES 728

### SWITCH AND WIRING

1. The supervisory switch contains two single pole, double throw, pre-wired switches.
2. Switches are rated:
  - 10 amps @ 125 or 250 VAC/60 Hz
  - 0.50 amps @ 125 VDC
  - 0.25 amps @ 250 VDC
3. Switches supervise the valve in the "OPEN" position.
4. One switch has two #18 insulated wires per terminal, which permit complete supervision of leads (refer to diagrams and notes below). The second switch has one #18 insulated wire per terminal. This double circuit provides flexibility to operate two electrical devices at separate locations, such as an indicating light and an audible alarm, in the area that the valve is installed.
5. A #14 insulated ground lead (green) is provided.
  - Switch #1 = S1 For connection to the supervisory circuit of a UL Listed alarm control panel
  - Switch #2 = S2 Auxiliary switch that may be connected to auxiliary devices, per the authority having jurisdiction

S1 { Normally Closed: (2) Blue  
Common: (2) Yellow

S2 { Normally Closed: Blue with Orange Stripe  
Normally Open: Brown with Orange Stripe  
Common: Yellow with Orange Stripe



NOTE: The above diagram shows a connection between the common terminal (yellow – S1 and yellow-with-orange stripe – S2) and the normally closed terminal (blue – S1 and blue-with-orange stripe – S2). In this example, the indicator light and alarm will stay on until the valve is fully open. When the valve is fully open, the indicator light and alarm will go out. Cap off any unused wires (e.g. brown with orange stripe).

Only S1 (two leads per terminal) may be connected to the fire alarm control panel.

The connection of the alarm switch wiring shall be in accordance with NFPA 72 and the auxiliary switch per NFPA 70 (NEC).

### MATERIAL SPECIFICATIONS

**Valve Body:** Brass ASTM B124

**Ball:** Chrome Plated Brass

**Ball Valve Stem:** 316 Stainless Steel

**Seat:** Carbon Filled (TFE) tetrafluoroethylene

**Stem Nut:** Brass ASTM B-16 C36000

**Actuator:** Brass traveling nut, on a steel lead screw, in a ductile iron housing



# HYDROFIRE ΕΠΕ

Buildings - Industry - Marine – Waterworks  
END OF AG. PANTELEIMONOS Str. (ELEONAS)  
GR-12241 EGALEO,  
Tel.: +30 210 3412 749-750 Fax: +30 210 3412 406  
[www.hydrofire.gr](http://www.hydrofire.gr), email: [info@hydrofire.gr](mailto:info@hydrofire.gr)



IPS CARBON STEEL PIPE – FIRE PROTECTION VALVES

10.17

## FireLock® Ball Valve

SERIES 728

### INSTALLATION

Reference should always be made to the I-100 Victaulic Field Installation Handbook for the product you are installing. Handbooks are included with each shipment of Victaulic products for complete installation and assembly data, and are available in PDF format on our website at [www.victaulic.com](http://www.victaulic.com).

### WARRANTY

Refer to the Warranty section of the current Price List or contact Victaulic for details.

### NOTE

This product shall be manufactured by Victaulic or to Victaulic specifications. All products to be installed in accordance with current Victaulic installation/assembly instructions. Victaulic reserves the right to change product specifications, designs and standard equipment without notice and without incurring obligations.

For complete contact information, visit [www.victaulic.com](http://www.victaulic.com)

10.17 2226 REV I UPDATED 03/2021

VICTAULIC IS A REGISTERED TRADEMARK OF VICTAULIC COMPANY. © 2011 VICTAULIC COMPANY. ALL RIGHTS RESERVED.

10.17

