



HYDROFIRE ΕΠΕ

Buildings - Industry - Marine – Waterworks
END OF AG. PANTELEIMONOS Str. (ELEONAS)
GR-12241 EGALEO,
Tel.: +30 210 3412 749-750 Fax: +30 210 3412 406
www.hydrofire.gr, email: info@hydrofire.gr



Victaulic® VicFlex™ Sprinkler Fittings Series AH3 Braided Flexible Hose



1.0 PRODUCT DESCRIPTION

Available Sizes by Component

- **Series AH3 0.8"/DN20 Nominal ID Braided Hose:** 31, 36, 48, 60, 72"/790, 914, 1220, 1525, 1830 mm. Note: length includes adapter nipple and 5.75"/146mm straight reducer.

Connections

- **From Branchline**
 - ¾"/20mm BSPT female thread (VdS only)
 - 1"/25mm NPT or BSPT female Thread
- **Hose Inlet**
 - 1"/25mm NPT or BSPT male thread
 - ¾"/20mm BSPT male thread (VdS only)
- **Sprinkler Reducer**
 - Sprinkler Connection: ½" and ¾"/15mm and 20mm NPT or BSPT female thread
 - Straight Lengths: 5.75", 9", 13"/140mm, 230mm, 330mm
 - 90° Elbows
 - Short (typically used with concealed sprinklers)
 - Long (typically used with recessed pendent sprinklers)
 - Low Profile Short (typically used with concealed sprinklers and Style AB5, AB11, AB12, ABBA, or ABMM Bracket)
 - Low Profile Long (typically used with recessed pendent sprinklers and Style AB5, AB11, AB12, ABBA, or ABMM Bracket)

ALWAYS REFER TO ANY NOTIFICATIONS AT THE END OF THIS DOCUMENT REGARDING PRODUCT INSTALLATION, MAINTENANCE OR SUPPORT.



HYDROFIRE ΕΠΕ

Buildings - Industry - Marine – Waterworks
END OF AG. PANTELEIMONOS Str. (ELEONAS)
GR-12241 EGALEO,

Tel.: +30 210 3412 749-750 Fax: +30 210 3412 406
www.hydrofire.gr, email: info@hydrofire.gr



victaulic.com

1.0 PRODUCT DESCRIPTION (CONTINUED)

• Brackets:

- Style AB2 for suspended and hard-lid ceilings, allows for vertical sprinkler adjustment, and installation before ceiling tiles in place
- Style AB4 for hard-lid ceilings with hat furring channel grid systems, allows for vertical sprinkler adjustment
- Style AB5 for hard-lid ceilings, allows for vertical sprinkler adjustment
- Style AB7 Adjustable for suspended and hard-lid ceilings
- Style AB11 for lay-in panel suspended t-grid ceilings or drywall suspended t-grid ceilings, allows for low profile installations (use only with 90° low profile elbows)
- Style AB12 for suspended and hard-lid ceilings, allows for vertical sprinkler adjustment, and allows for low profile installation down to 4"/100mm.
- Style ABBA bracket for suspended, exposed, and hard-lid ceilings
- Style ABMM bracket for surface mount and stand off-mount applications, wood, metal and block walls, or ceilings and hard-lid ceilings

Maximum Working Temperature

- 225°F/107°C

Maximum Working Pressure

- 200 psi/1375 kPa (FM Approval)
- 1600 kPa/232 psi (VdS Approved)

Minimum Bend Radius

- 7"/178 mm (FM Approval)
- 3"/76.2 mm (VdS Approved)

Maximum Allowable Sprinkler K-Factors

- FM (½"/15mm reducer) K5.6/8,1 (S.I.), (¾"/20mm reducer) K14.0/20,2 (S.I.)
- VdS (½"/15mm reducer) K5.6/8,1 (S.I.), (¾"/20mm reducer) K8.0/11,5 (S.I.)

2.0 CERTIFICATION/LISTINGS



3.0 SPECIFICATIONS – MATERIAL

Series AH3

- **Flexible Hose:** 300-series Stainless Steel
- **Collar/Weld Fitting:** 300-series Stainless Steel
- **Gasket Seal:** Victaulic EPDM
- **Nut and Adapter Nipple:** Carbon Steel, Zinc Plated
- **Reducer (½ or ¾"):** Carbon Steel, Zinc-Plated

Brackets: Carbon Steel, Zinc-Plated



HYDROFIRE ΕΠΕ

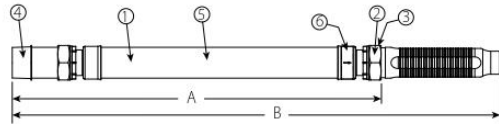
Buildings - Industry - Marine – Waterworks
 END OF AG. PANTELEIMONOS Str. (ELEONAS)
 GR-12241 EGALEO,
 Tel.: +30 210 3412 749-750 Fax: +30 210 3412 406
www.hydrofire.gr, email: info@hydrofire.gr



victaulic.com

4.0 DIMENSIONS

Product Details - Series AH3 Braided Hose



Item	Description
1	Flexible Hose
2	Gasket
3	Nut
4	Branch Line Adapter Nipple
5	Braid
6	Collar/Weld Fitting

Hose Length Dimensions

Hose Length inches mm	A inches mm	B inches mm
31/790	25.25/641	31/790
36/915	30.25/768	36/915
48/1220	42.25/1073	48/1220
60/1525	54.25/1378	60/1525
72/1830	66.25/1683	72/1830

Standard Reducer

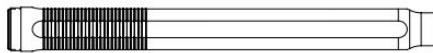


5.75"/146 mm straight reducer

Optional Reducers

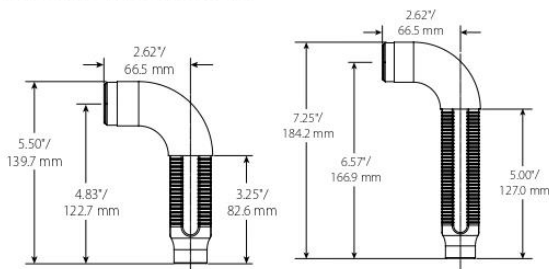


9.0"/230 mm straight reducer



13.0"/330 mm straight reducer

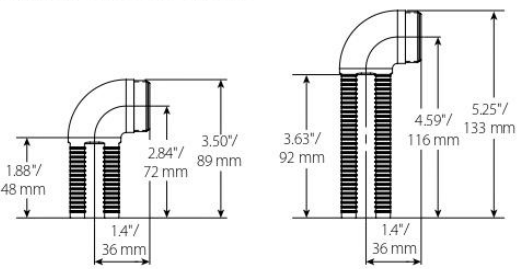
Standard Elbow Reducers



Short 90° elbow reducer

Long 90° elbow reducer

Low Profile Elbow Reducers



Short 90° low profile elbow reducer Long 90° low profile elbow reducer

NOTE

- The Short 90° elbow reducer is typically used with concealed sprinklers while the Long 90° elbow is typically used in the installation of recessed pendent sprinklers.

NOTE

- Style AB11: When low profile elbows are used with the Style AB11 bracket, the Low Profile Short Elbow is typically used with concealed sprinklers while the Low Profile Long Elbow is typically used in the installation of recessed pendent sprinklers.



HYDROFIRE ΕΠΕ

Buildings - Industry - Marine – Waterworks
 END OF AG. PANTELEIMONOS Str. (ELEONAS)
 GR-12241 EGALEO,
 Tel.: +30 210 3412 749-750 Fax: +30 210 3412 406
www.hydrofire.gr, email: info@hydrofire.gr



victaulic.com

4.1 DIMENSIONS

VicFlex Brackets

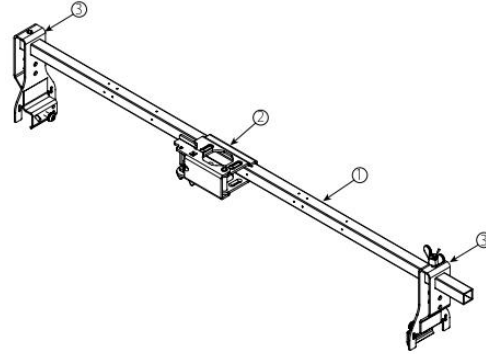
Style AB2

- Suspended Ceilings
- Hard-Lid Ceilings

Item	Description
1	24"/610 mm or 48"/1219 mm Square Bar
2	Patented Vertically Adjustable Center Bracket
3	End Bracket

NOTE

- Both sizes FM/VdS approved.



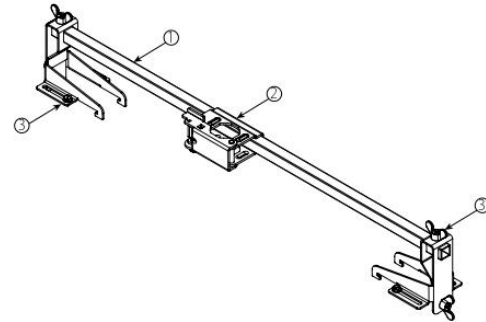
Style AB4

- Hard-lid Ceilings with Hat furring channel grid system

Item	Description
1	24"/610 mm or 48"/1220 mm Square Bar
2	Patented Vertically Adjustable Center Bracket
3	End Bracket for Hat Furring Channel

NOTE

- Both sizes VdS approved.



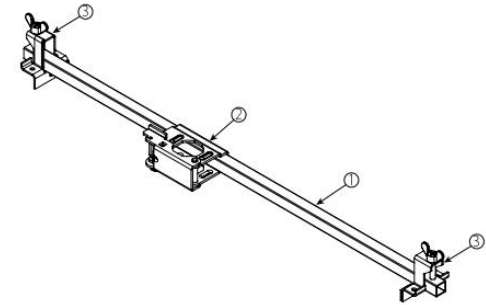
Style AB5

- Hard-Lid Ceilings

Item	Description
1	24"/610 mm or 48"/1219 mm Square Bar
2	Patented Vertically Adjustable Center Bracket
3	End Bracket

NOTE

- Both sizes FM/VdS approved.



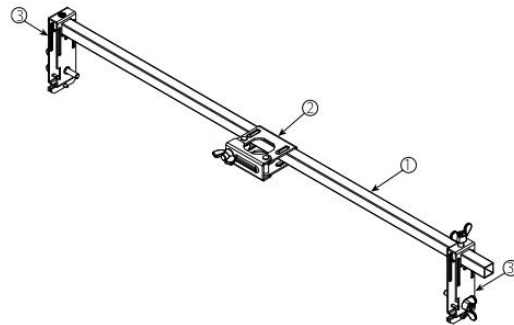
Style AB7 Adjustable

- Suspended Ceilings
- Hard-Lid Ceilings

Item	Description
1	700 mm or 1400 mm Square Bar
2	Patented 1-Bee2® Center Bracket
3	End Bracket (adjustable)

NOTE

- Both sizes FM/VdS approved.





HYDROFIRE ΕΠΕ

Buildings - Industry - Marine – Waterworks
 END OF AG. PANTELEIMONOS Str. (ELEONAS)
 GR-12241 EGALEO,
 Tel.: +30 210 3412 749-750 Fax: +30 210 3412 406
www.hydrofire.gr, email: info@hydrofire.gr



victaulic.com

4.2 DIMENSIONS

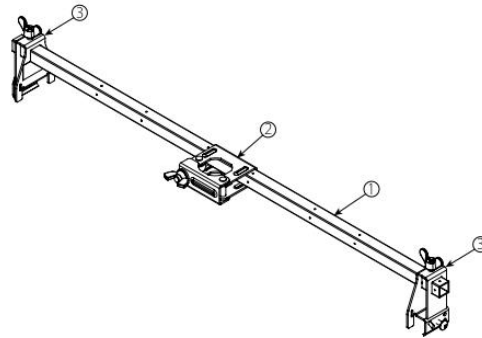
Style AB11

- Suspended Ceilings
- Hard-Lid Ceilings

Item	Description
1	24"/610 mm or 48"/1219 mm Square Bar
2	Patented 1-Bee2® Center Bracket
3	End Bracket

NOTE

- FM/VdS Approved.



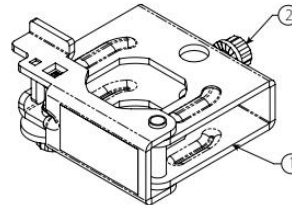
Style AB12

- Suspended ceilings
- Hard-Lid ceilings

Item	Description
1	Style AB12 Bracket Body
2	#2 Square Drive Set Screw

NOTE

- FM Approved.



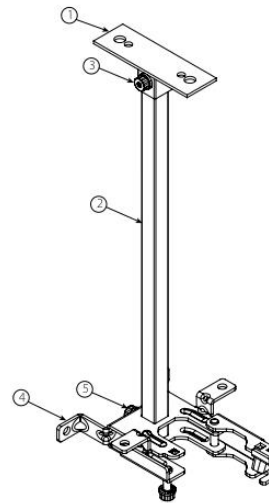
Style ABBA

- Suspended Ceilings
- Hard-Lid Ceilings

Item	Description
1	Style ABBA Mounting Weldment
2	Style ABBA Square Bar
3	Cap Screw, Serrated Flange, M6 x 1 x 20, T25 Torx Drive Recessed
4	Style ABBA Bracket Subassembly

NOTE

- FM approved



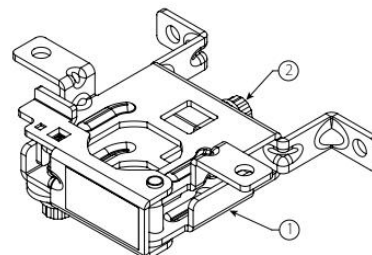
Style ABMM

- Suspended Ceilings
- Hard-Lid Ceilings

Item	Description
1	Style ABMM Bracket Body
2	Cap Screw, Serrated Flange, M6 x 1 x 15.24, T25 Torx Drive Recessed

NOTE

- FM approved





HYDROFIRE ΕΠΕ

Buildings - Industry - Marine – Waterworks
 END OF AG. PANTELEIMONOS Str. (ELEONAS)
 GR-12241 EGALEO,
 Tel.: +30 210 3412 749-750 Fax: +30 210 3412 406
www.hydrofire.gr, email: info@hydrofire.gr

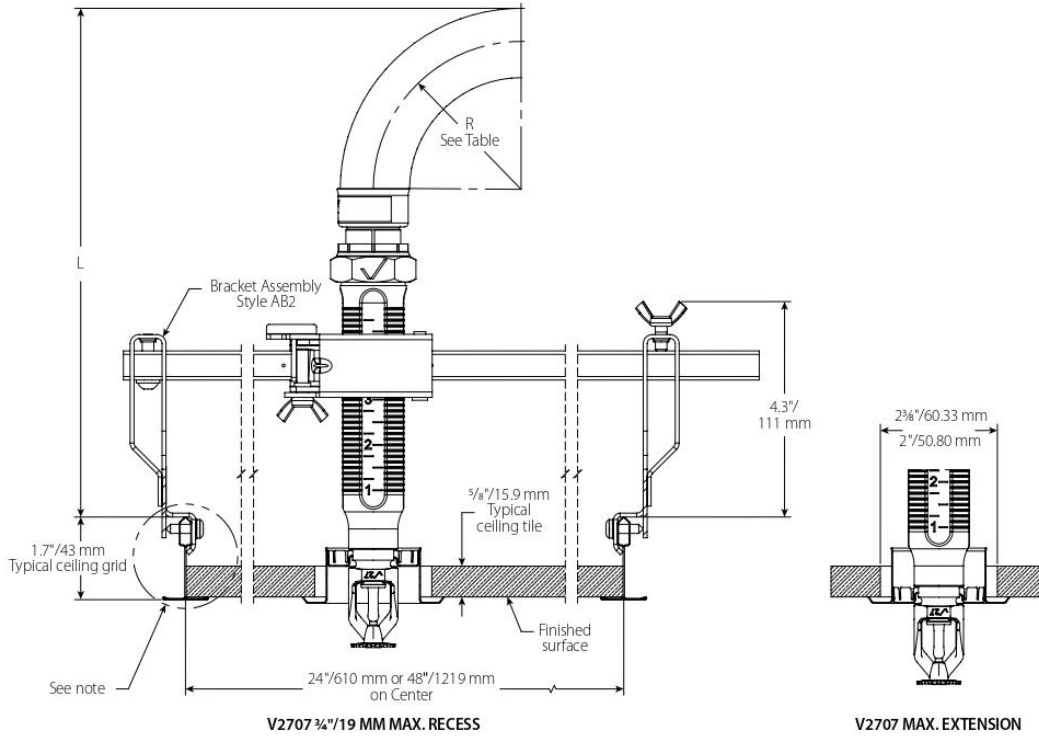


victaulic.com

4.3 DIMENSIONS

Clearances

Series AH2 Braided Hose and Style AB2 Bracket



Hose Clearance Chart								
	Straight Reducer						Long Elbow	Short Elbow
	V2707 3/4" Max Recess inches mm	V3802 1/2" Max Recess inches mm	V2707 3/4" Max Recess inches mm	V3802 1/2" Max Recess inches mm	V2707 3/4" Max Recess inches mm	V3802 1/2" Max Recess inches mm	V2707 3/4" Max Recess inches mm	V3802 1/2" Max Recess inches mm
"R" Minimum Bend Radius	2.0 50		3.0 80		7.0 175			-
"A" Minimum Required Installation Space	8.6 218	10.1 269	9.6 244	11.1 281	13.6 345	15.1 383	5.8 147	5.8 147

NOTE

- Variations of ceiling grids, sprinkler heads, brackets, and hoses are permitted but may result in clearance differences from the figures above.



HYDROFIRE ΕΠΕ

Buildings - Industry - Marine – Waterworks
 END OF AG. PANTELEIMONOS Str. (ELEONAS)
 GR-12241 EGALEO,
 Tel.: +30 210 3412 749-750 Fax: +30 210 3412 406
www.hydrofire.gr, email: info@hydrofire.gr

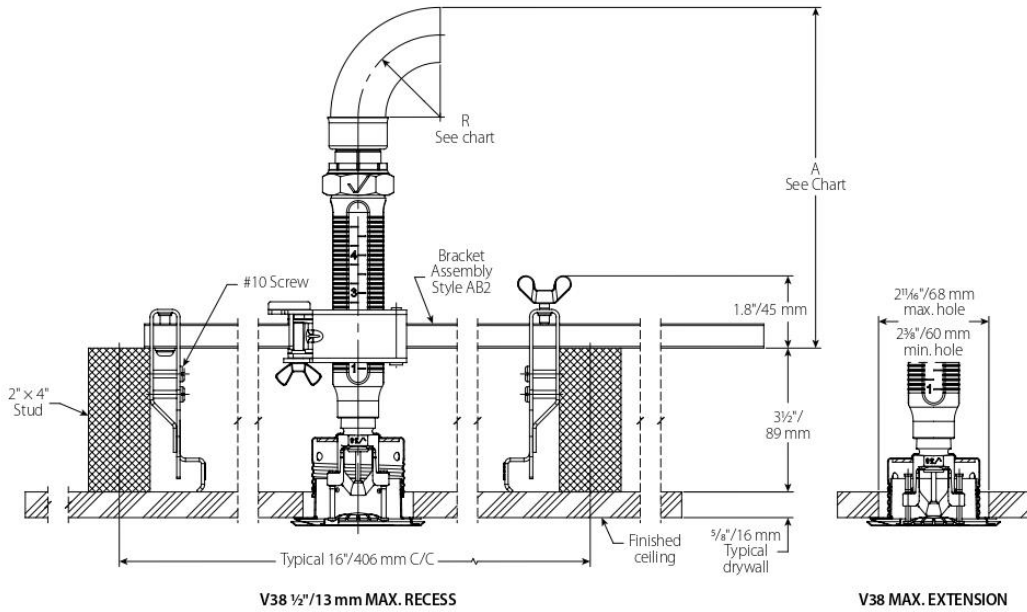


victaulic.com

4.4 DIMENSIONS

Clearances

Series AH2 Braided Hose and Style AB2 Bracket



Hose Clearance Chart									
	Straight Reducer								
	V2707 3/4" 20mm Max Recess" inches mm	V3802 1/2" 13mm Max Recess inches mm	V2709 3/4" 20mm Sidewall inches mm	V2707 3/4" 20mm Max Recess inches mm	V3802 1/2" 13mm Max Recess inches mm	V2709 3/4" 20mm Sidewall inches mm	V2707 3/4" 20mm Max Recess inches mm	V3802 1/2" 13mm Max Recess inches mm	V2709 3/4" 20mm Sidewall inches mm
"R" Minimum Bend Radius		2.0 50			3.0 80			7.0 175	
"A" Minimum Required Installation Space	6.2 158	7.6 193	6.1 155	7.2 183	8.6 218	7.1 180	11.2 285	12.6 320	11.1 282

Hose Clearance Chart			
	Long Elbow		Short Elbow
	V2707 3/4" 20mm Max Recess inches mm	V2709 3/4" 20mm Sidewall inches mm	V3802 1/2" 13mm Max Recess inches mm
"R" Minimum Bend Radius	-		
"A" Minimum Required Installation Space	3.3 84	3.6 91	3.3 84

NOTE

- Variations of ceiling grids, sprinkler heads, brackets, and hoses are permitted but may result in clearance differences from the figures above.



HYDROFIRE ΕΠΕ

Buildings - Industry - Marine – Waterworks
 END OF AG. PANTELEIMONOS Str. (ELEONAS)
 GR-12241 EGALEO,
 Tel.: +30 210 3412 749-750 Fax: +30 210 3412 406
www.hydrofire.gr, email: info@hydrofire.gr

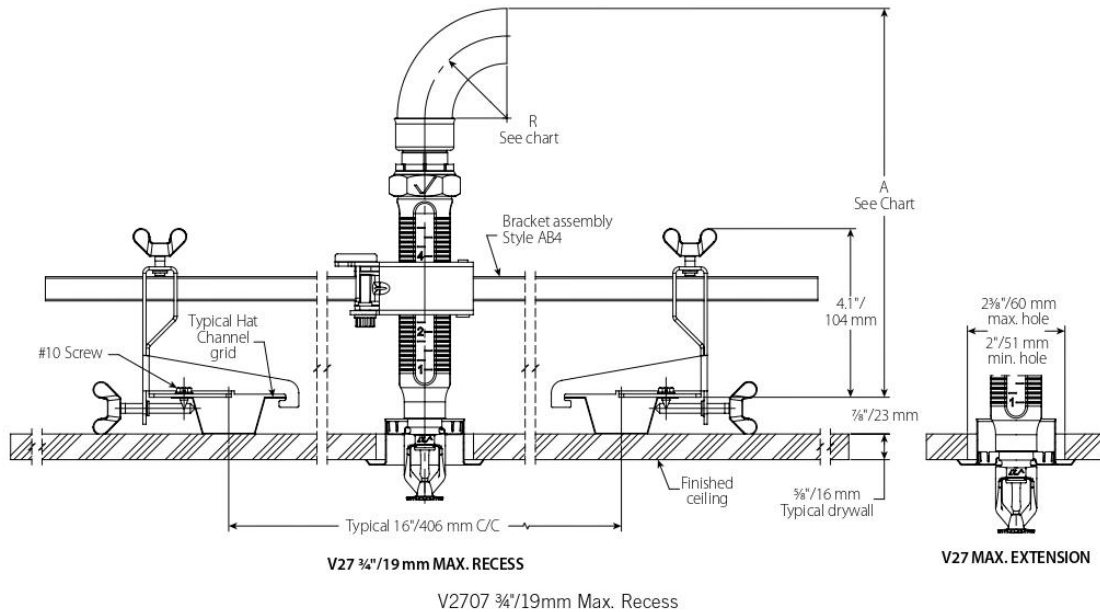


victaulic.com

4.5 DIMENSIONS

Clearances Above Ceiling

Series AH3 Braided Hose and Style AB4 Bracket
 Hat Furring Channel Grid with Recessed Sprinkler



Hose Clearance Chart								
	Straight Reducer						Long Elbow	Short Elbow
	V2707 3/4" Max Recess inches mm	V3802 1/2" Max Recess inches mm	V2707 3/4" Max Recess inches mm	V3802 1/2" Max Recess inches mm	V2707 3/4" Max Recess inches mm	V3802 1/2" Max Recess inches mm	V2707 3/4" Max Recess inches mm	V3802 1/2" Max Recess inches mm
"R" Minimum Bend Radius	2.0 50	2.0 50	3.0 80	3.0 80	7.0 175	7.0 175	-	
"A" Minimum Required Installation Space	8.8 224	10.2 259	9.8 249	11.2 285	13.8 351	15.2 386	8.0 203	5.9 150

NOTE

Variations of ceiling grids, sprinkler heads, brackets, and hoses are permitted but may result in clearance differences from the figures above.



HYDROFIRE ΕΠΕ

Buildings - Industry - Marine – Waterworks
 END OF AG. PANTELEIMONOS Str. (ELEONAS)
 GR-12241 EGALEO,

Tel.: +30 210 3412 749-750 Fax: +30 210 3412 406
 www.hydrofire.gr, email: info@hydrofire.gr

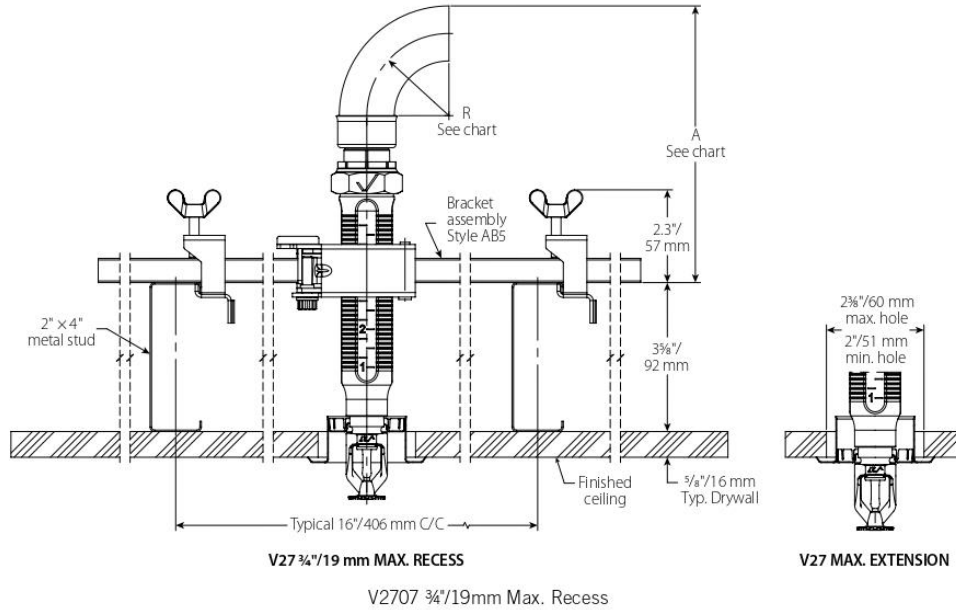


victaulic.com

4.5 DIMENSIONS (CONTINUED)

Clearances Above Ceiling

Series AH3 Braided Hose and Style AB5 Bracket
 Hard-lid Ceiling with Recessed Sprinkler



Hose Clearance Chart									
	Straight Reducer								
	"V2707 3/4" 20mm Max Recess" inches mm	V3802 1/2" 13mm Max Recess inches mm	V2709 3/4" 20mm Sidewall inches mm	V2707 3/4" 20mm Max Recess inches mm	V3802 1/2" 13mm Max Recess inches mm	V2709 3/4" 20mm Sidewall inches mm	V2707 3/4" 20mm Max Recess inches mm	V3802 1/2" 13mm Max Recess inches mm	V2709 3/4" 20mm Sidewall inches mm
"R" Minimum Bend Radius	2.0 50			3.0 80			7.0 175		
"A" Minimum Required Installation Space	6.0 158	7.7 196	6.1 155	7.0 178	8.7 221	7.1 180	11.0 279	12.7 323	11.1 282

Hose Clearance Chart					
	Long Elbow			Low-Profile Long Elbow	Short Elbow
	V2707 3/4" 20mm Max Recess inches mm	V3802 1/2" 13mm Max Recess inches mm	V2709 3/4" 20mm Sidewall inches mm	V3802 1/2" 13mm Max Recess inches mm	V3802 1/2" 13mm Max Recess inches mm
"R" Minimum Bend Radius	-				
"A" Minimum Required Installation Space	3.5 89	4.9 124	3.6 91	2.9 74	3.3 84

NOTE

- Variations of ceiling grids, sprinkler heads, brackets, and hoses are permitted but may result in clearance differences from the figures above.



HYDROFIRE ΕΠΕ

Buildings - Industry - Marine – Waterworks
 END OF AG. PANTELEIMONOS Str. (ELEONAS)
 GR-12241 EGALEO,
 Tel.: +30 210 3412 749-750 Fax: +30 210 3412 406
www.hydrofire.gr, email: info@hydrofire.gr



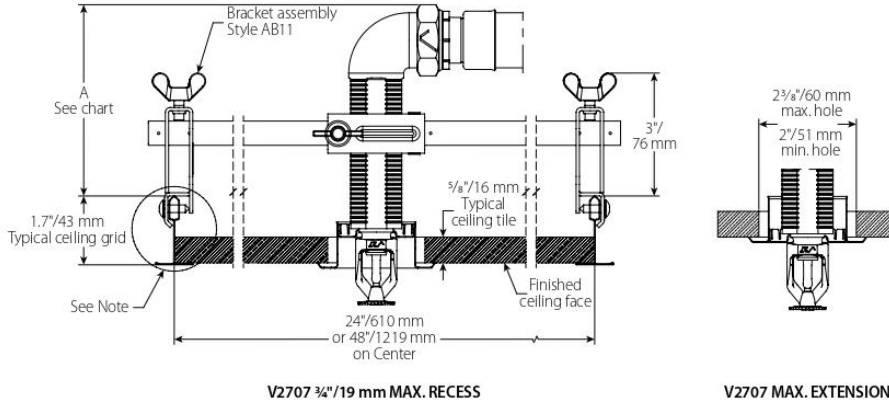
victaulic.com

4.6 DIMENSIONS

Clearances Above Ceiling

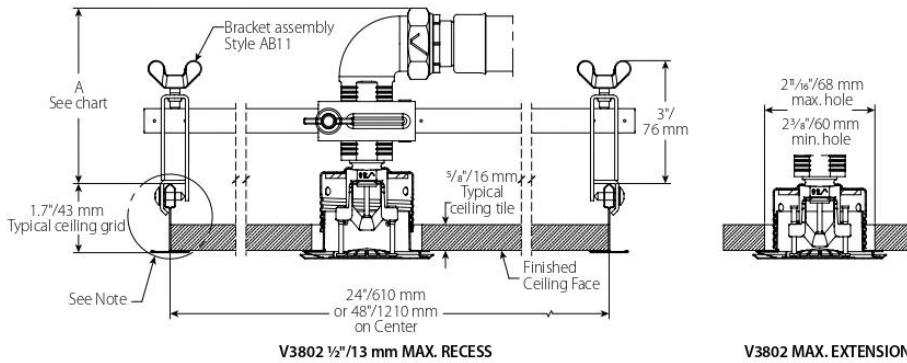
Series AH3 Braided Hose and Style AB11 Bracket (LOW PROFILE SOLUTION)

Suspended Ceiling Grid with Recessed Sprinkler with LP 90° Elbow (Long)



Hose Clearance Chart		
Dimension		inches mm
A	Min.	4.0 100

Suspended Ceiling Grid with Concealed Pendent with LP 90° Elbow (Short)



Hose Clearance Chart		
Dimension		inches mm
A	Min.	3.9 99



HYDROFIRE ΕΠΕ

Buildings - Industry - Marine – Waterworks

END OF AG. PANTELEIMONOS Str. (ELEONAS)

GR-12241 EGALEO,

Tel.: +30 210 3412 749-750 Fax: +30 210 3412 406

www.hydrofire.gr, email: info@hydrofire.gr



victaulic.com

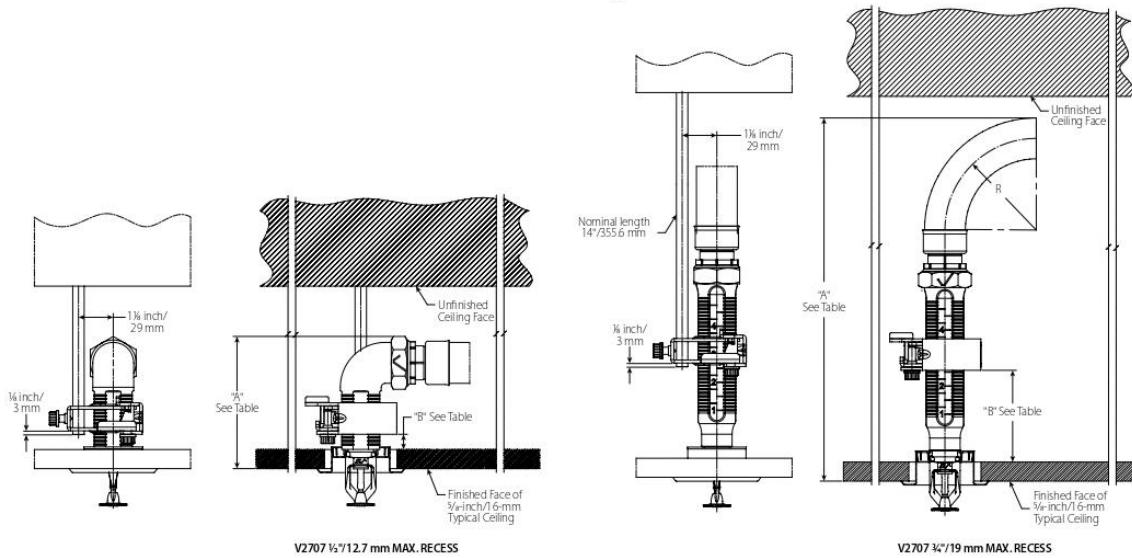
4.6 DIMENSIONS (CONTINUED)

Clearances Above Ceiling

Series AH3 Braided Hose and Style AB12 and ABBA Bracket

Suspended Ceiling Grid with Recessed Sprinkler with Low Profile Short Elbow

Suspended Ceiling Grid with Recessed Sprinkler and Straight 5.75"/146 mm Reducer



Dimension	Low Profile Short Elbow		Low Profile Long Elbow		Standard Short Elbow		Standard Long Elbow		Standard Straight Reducer		
	3/4" / 19mm Recessed*	Concealed	3/4" / 19mm Recessed	Concealed	3/4" / 19mm Recessed	Concealed	3/4" / 19mm Recessed	Concealed	3/4" / 19mm Recessed	Concealed	
	inches	inches	inches	inches	inches	inches	inches	inches	inches	inches	
	mm	mm	mm	mm	mm	mm	mm	mm	mm	mm	
A	Minimum Required Installation Space	4.0 101.6	5.5 139.7	5.6 142.2	7.2 182.9	5.9 149.9	7.5 190.5	7.7 195.6	9.3 236.2	15.0 381.0	16.6 421.6
B	Distance from Top of Typical Ceiling Tile to Bottom of Gate	0.5 12.7	2.0 50.8	1.5 38.1	1.5 38.1	1.5 38.1	1.5 38.1	3.0 76.2	3.0 76.2	3.0 76.2	3.0 76.2

* Adjustability will be limited

NOTE

- For Style AB12 Bracket Sprinkler location relative to 3/8" threaded rod is 1 1/8"/29mm center-to-center.
- Variations of ceiling grids, sprinkler heads, brackets, and hoses are permitted but may result in clearance differences from the figures above.



HYDROFIRE ΕΠΕ

Buildings - Industry - Marine – Waterworks

END OF AG. PANTELEIMONOS Str. (ELEONAS)

GR-12241 EGALEO,

Tel.: +30 210 3412 749-750 Fax: +30 210 3412 406

www.hydrofire.gr, email: info@hydrofire.gr



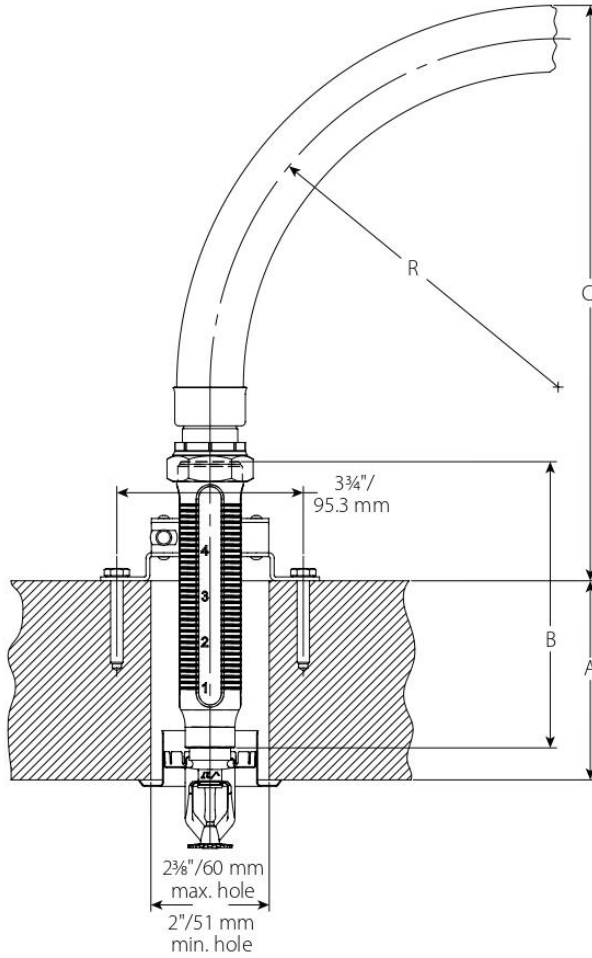
victaulic.com

4.7 DIMENSIONS

Clearances

Style ABMM Bracket

Surface Mount Application with Recessed Sprinkler



Hose Clearances										
Dimension	inches		inches		inches		inches		inches	
	mm		mm		mm		mm		mm	
Wall Thickness "A"	2		4		6		8		10	
	50		100		150		200		250	
Outlet Length "B"	5.75	9	13	5.75	9	13	9	13	13	13
	146.1	228.6	330.2	146.1	228.6	330.2	228.6	330.2	330.2	330.2
Hose Clearance "C"	11.6	14.8	18.8	9.6	12.8	16.8	10.8	14.8	12.8	10.8
	294	376	478	243	325	427	275	376	325	275
Bend Radius "R"	7					8				
	175					200				

NOTE

- Variations of ceiling grids, sprinkler heads, brackets, and hoses are permitted but may result in clearance differences from the figures above.



HYDROFIRE ΕΠΕ

Buildings - Industry - Marine – Waterworks

END OF AG. PANTELEIMONOS Str. (ELEONAS)

GR-12241 EGALEO,

Tel.: +30 210 3412 749-750 Fax: +30 210 3412 406

www.hydrofire.gr, email: info@hydrofire.gr



victaulic.com

5.0 PERFORMANCE – FRICTION LOSS DATA



Series AH3 Braided Hose

Style AB2, AB5, AB7 Adj., AB12, ABBA and ABMM VicFlex Brackets

Hose Length inches/mm	K-factor Imperial/S.I.	Outlet Size inches/mm/type	Series AH3 Hose	
			Equivalent Length of 1" / 33.7mm Sch. 40 Pipe feet/meters	Maximum Number of 90° Bends at 7" / 178mm Bend Radius
31/775	5.6/8.1	1/2" / 15 / Straight	33.8/10.3	2
		1/2" / 15 / 90° Standard Elbow	35.2/10.7	
36/900	5.6/8.1	1/2" / 15 / Straight	43.0/13.1	2
		1/2" / 15 / 90° Standard Elbow	44.9/13.7	
48/1200	5.6/8.1	1/2" / 15 / Straight	65.2/19.9	3
		1/2" / 15 / 90° Standard Elbow	68.3/20.8	
60/1500	5.6/8.1	1/2" / 15 / Straight	87.4/26.6	4
		1/2" / 15 / 90° Standard Elbow	91.7/27.9	
72/1800	5.6/8.1	1/2" / 15 / Straight	109.7/33.4	4
		1/2" / 15 / 90° Standard Elbow	115.3/35.1	
31/775	8.0/11.5	3/4" / 20 / Straight	30.9/9.4	2
		3/4" / 20 / 90° Standard Elbow	32.1/9.7	
36/900	8.0/11.5	3/4" / 20 / Straight	39.2/11.9	2
		3/4" / 20 / 90° Standard Elbow	40.8/12.4	
48/1200	8.0/11.5	3/4" / 20 / Straight	68.3/20.8	3
		3/4" / 20 / 90° Standard Elbow	68.5/20.8	
60/1500	8.0/11.5	3/4" / 20 / Straight	97.7/29.7	4
		3/4" / 20 / 90° Standard Elbow	100.8/30.7	
72/1800	8.0/11.5	3/4" / 20 / Straight	95.4/29.0	4
		3/4" / 20 / 90° Standard Elbow	97.0/29.5	
31/775	11.2/16.1	3/4" / 20 / Straight	34.1/10.4	2
		3/4" / 20 / 90° Standard Elbow	34.0/10.4	
36/900	11.2/16.1	3/4" / 20 / Straight	43.7/13.3	2
		3/4" / 20 / 90° Standard Elbow	43.9/13.4	
48/1200	11.2/16.1	3/4" / 20 / Straight	66.7/20.3	3
		3/4" / 20 / 90° Standard Elbow	67.8/20.7	
60/1500	11.2/16.1	3/4" / 20 / Straight	89.7/27.3	4
		3/4" / 20 / 90° Standard Elbow	91.7/27.9	
72/1800	11.2/16.1	3/4" / 20 / Straight	113.1/34.5	4
		3/4" / 20 / 90° Standard Elbow	115.6/35.2	
31/775	14.0/20.2	3/4" / 20 / Straight	34.2/10.4	2
		3/4" / 20 / 90° Standard Elbow	34.0/10.4	
36/900	14.0/20.2	3/4" / 20 / Straight	44.1/13.4	2
		3/4" / 20 / 90° Standard Elbow	44.2/13.5	
48/1200	14.0/20.2	3/4" / 20 / Straight	67.8/20.7	3
		3/4" / 20 / 90° Standard Elbow	68.8/21.0	
60/1500	14.0/20.2	3/4" / 20 / Straight	91.6/27.9	4
		3/4" / 20 / 90° Standard Elbow	93.4/28.5	
72/1800	14.0/20.2	3/4" / 20 / Straight	115.5/35.2	4
		3/4" / 20 / 90° Standard Elbow	118.4/36.1	

FM NOTES:

- Series AH3 has been tested and Approved by FM Global for use in wet, dry and preaction systems per NFPA 13, 13R, and 13D and FM data sheets 2-0, 2-5, and 2-8. FM 1637 standards for safety include, but are not limited to, pressure cycling, corrosion resistance, flow characteristics, vibration resistance, leakage, mechanical and hydrostatic strength.
- Differences in equivalent lengths are due to varying test methods, per FM 1637 and VdS standards. Refer to these standards for additional information regarding friction loss test methods.
- EXAMPLE: A 48-inch hose installed with two 30° bends and two 90° bends at a 7-inch bend radius is permitted and considered equivalent to the data in the table shown above. In this example, the total number of degrees is 240°, which is less than the allowable 270°.



HYDROFIRE ΕΠΕ

Buildings - Industry - Marine – Waterworks

END OF AG. PANTELEIMONOS Str. (ELEONAS)

GR-12241 EGALEO,

Tel.: +30 210 3412 749-750 Fax: +30 210 3412 406

www.hydrofire.gr, email: info@hydrofire.gr



victaulic.com

5.1 PERFORMANCE – FRICTION LOSS DATA



Series AH3 Braided Hose
Style AB11, AB12, ABBA and ABMM VicFlex Brackets

Length of Stainless Steel Flexible Hose	K-factor	Outlet Size	Series AH3 Hose	
			Equivalent Length of 1"/33.7mm Sch. 40 Pipe	Maximum Number of 90° Bends at 7"/178mm Bend Radius
inches/mm	Imperial/S.I.	inches/mm/type	feet/meters	
31/775	5.6/8.1	½"/15/90° Low Profile Elbow	53.8/16.3	2
36/900		½"/15/90° Low Profile Elbow	60/18.2	2
48/1200		½"/15/90° Low Profile Elbow	75/22.8	3
60/1500		½"/15/90° Low Profile Elbow	90/27.4	4
72/1800		½"/15/90° Low Profile Elbow	105.2/32	4
31/775	8.0/11.5	¾"/20/90° Low Profile Elbow	71.3/21.7	2
36/900		¾"/20/90° Low Profile Elbow	77.8/23.7	2
48/1200		¾"/20/90° Low Profile Elbow	93.4/28.4	3
60/1500		¾"/20/90° Low Profile Elbow	109/33.2	4
72/1800		¾"/20/90° Low Profile Elbow	124.8/38	4
31/775	11.2/16.1	¾"/20/90° Low Profile Elbow	69.8/21.2	2
36/900		¾"/20/90° Low Profile Elbow	76.5/23.3	2
48/1200		¾"/20/90° Low Profile Elbow	92.5/28.1	3
60/1500		¾"/20/90° Low Profile Elbow	108.6/33.1	4
72/1800		¾"/20/90° Low Profile Elbow	124.9/38	4

FM NOTES:

- Series AH3 has been tested and Approved by FM Global for use in wet, dry and preaction systems per NFPA 13, 13R, and 13D and FM data sheets 2-0, 2-5, and 2-8. FM 1637 standards for safety include, but are not limited to, pressure cycling, corrosion resistance, flow characteristics, vibration resistance, leakage, mechanical and hydrostatic strength.
- Differences in equivalent lengths are due to varying test methods, per FM 1637 and VdS standards. Refer to these standards for additional information regarding friction loss test methods.
- EXAMPLE: A 48-inch hose installed with two 30° bends and two 90° bends at a 7-inch bend radius is permitted and considered equivalent to the data in the table shown above. In this example, the total number of degrees is 240°, which is less than the allowable 270°.



HYDROFIRE ΕΠΕ

Buildings - Industry - Marine – Waterworks

END OF AG. PANTELEIMONOS Str. (ELEONAS)

GR-12241 EGALEO,

Tel.: +30 210 3412 749-750 Fax: +30 210 3412 406

www.hydrofire.gr, email: info@hydrofire.gr



victaulic.com

5.2 PERFORMANCE – FRICTION LOSS DATA



Series AH3 Braided Hose
Style AB2, AB5, AB7 Adj. and AB11 Brackets

Length of Stainless Steel Flexible Hose	Outlet Size	Series AH3 Hose	
		Equivalent Length of steel pipe according to EN 10255 DN 20 (26,9 x 2,65)	Maximum Number of 90° Bends at 3"/76.2mm Bend Radius
mm/inches	mm/inches	meters/feet	
790/31	15mm/1/2"	5.9/19.4	3
	20 mm/3/4"		
915/36	15mm/1/2"	6.9/22.5	3
	20 mm/3/4"		
1220/48	15mm/1/2"	9.2/30.0	3
	20 mm/3/4"		
1525/60	15mm/1/2"	11.4/37.5	4
	20 mm/3/4"		
1830/72	15mm/1/2"	13.7/45.0	4
	20 mm/3/4"		

VDS CEILING MANUFACTURERS LIST

AB2, AB7, AB11

1. AMF
2. Armstrong
3. Chicago Metallic
4. Dipling
5. Durlum
6. Geipel
7. Gema-Armstrong
8. Hilti
9. Knaufl
10. Lafarge
11. Linder
12. Odenwald
13. Richter
14. Rigips
15. Rockfon Pagos
16. Suckow & Fischer
17. USG Donn

AB5

1. Hilti
2. Knaufl
3. Lafarge
4. Lindner
5. Rigips



HYDROFIRE ΕΠΕ

Buildings - Industry - Marine – Waterworks
END OF AG. PANTELEIMONOS Str. (ELEONAS)
GR-12241 EGALEO,
Tel.: +30 210 3412 749-750 Fax: +30 210 3412 406
www.hydrofire.gr, email: info@hydrofire.gr



victaulic.com

6.0 NOTIFICATIONS

⚠ WARNING	
	<ul style="list-style-type: none">• Read and understand all instructions before attempting to install any Victaulic products.• Always verify that the piping system has been completely depressurized and drained immediately prior to installation, removal, adjustment, or maintenance of any Victaulic products.• Wear safety glasses, hardhat, and foot protection.
<ul style="list-style-type: none">• These products shall be used only in fire protection systems that are designed and installed in accordance with current, applicable National Fire Protection Association (NFPA 13, 13D, 13R, etc.) standards, or equivalent standards, and in accordance with applicable building and fire codes. These standards and codes contain important information regarding protection of systems from freezing temperatures, corrosion, mechanical damage, etc.• The installer shall understand the use of this product and why it was specified for the particular application.• The installer shall understand common industry safety standards and potential consequences of improper product installation.	

⚠ WARNING	
<ul style="list-style-type: none">• It is the responsibility of the system designer to verify suitability of 300-series stainless steel flexible hose for use with the intended fluid media within the piping system and external environments.• The effect of chemical composition, pH level, operating temperature, chloride level, oxygen level, and flow rate on 300-series stainless steel flexible hose must be evaluated by the material specifier to confirm system life will be acceptable for the intended service.• It is the responsibility of the owner of a building or their authorized agent to provide the sprinkler system installer with any knowledge that the water supply might be contaminated with or conducive to the development of micro-biologically influenced corrosion (MIC), including as required by NFPA 13. Failure to identify adverse water quality issues may affect the VicFlex product and void the manufacturer's warranty.	
<p>Failure to follow these instructions could cause product failure, resulting in serious personal injury and/or property damage.</p>	

Victaulic VicFlex Series AH3 Flexible Sprinkler Fittings may be painted provided the paint is compatible with stainless steel and zinc-plated carbon steel or ductile iron. Care should be taken to ensure the sprinkler and associated escutcheon or coverplate are not painted.



HYDROFIRE ΕΠΕ

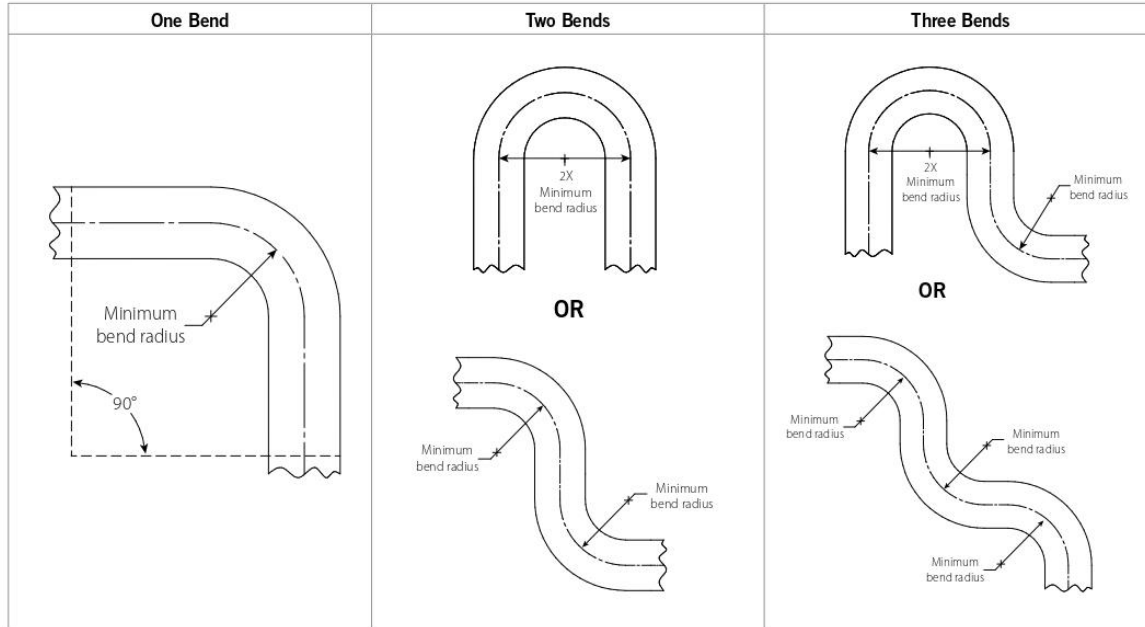
Buildings - Industry - Marine – Waterworks
END OF AG. PANTELEIMONOS Str. (ELEONAS)
GR-12241 EGALEO,
Tel.: +30 210 3412 749-750 Fax: +30 210 3412 406
www.hydrofire.gr, email: info@hydrofire.gr



victaulic.com

7.0 REFERENCE MATERIALS – CHARACTERISTICS

Flexible Hose In-Plane Bend Characteristics



NOTE

- For out-of-plane (three-dimensional) bends, care must be taken to avoid imparting torque on the hose.

[I-VicFlex-AB1-AB2-AB10](#)

[I-VicFlex-AB5](#)

[I-VicFlex-AB7](#)

[I-VicFlex-AB11](#)

[I-VicFlex-AB12](#)

[I-VicFlex-ABBA-ABMM](#)

User Responsibility for Product Selection and Suitability

Each user bears final responsibility for making a determination as to the suitability of Victaulic products for a particular end-use application, in accordance with industry standards and project specifications, and the applicable building codes and related regulations as well as Victaulic performance, maintenance, safety, and warning instructions. Nothing in this or any other document, nor any verbal recommendation, advice, or opinion from any Victaulic employee, shall be deemed to alter, vary, supersede, or waive any provision of Victaulic Company's standard conditions of sale, installation guide, or this disclaimer.

Intellectual Property Rights

No statement contained herein concerning a possible or suggested use of any material, product, service, or design is intended, or should be construed, to grant any license under any patent or other intellectual property right of Victaulic or any of its subsidiaries or affiliates covering such use or design, or as a recommendation for the use of such material, product, service, or design in the infringement of any patent or other intellectual property right. The terms "Patented" or "Patent Pending" refer to design or utility patents or patent applications for articles and/or methods of use in the United States and/or other countries.

Note

This product shall be manufactured by Victaulic or to Victaulic specifications. All products to be installed in accordance with current Victaulic installation/assembly instructions. Victaulic reserves the right to change product specifications, designs and standard equipment without notice and without incurring obligations.

Installation

Reference should always be made to I-VICFLEX-AB1-AB2-AB10, I-VICFLEX-AB4-AB9, I-VICFLEX-AB7, or I-VICFLEX-AB8 for the product you are installing. Handbooks are included with each shipment of Victaulic products for complete installation and assembly data, and are available in PDF format on our website at www.victaulic.com.

Warranty

Refer to the Warranty section of the current Price List or contact Victaulic for details.

Trademarks

Victaulic and all other Victaulic marks are the trademarks or registered trademarks of Victaulic Company, and/or its affiliated entities, in the U.S. and/or other countries.