



# HYDROFIRE EPE

Buildings - Industry - Marine – Waterworks

END OF AG. PANTELEIMONOS Str. (ELEONAS)  
GR-12241 EGALEO,

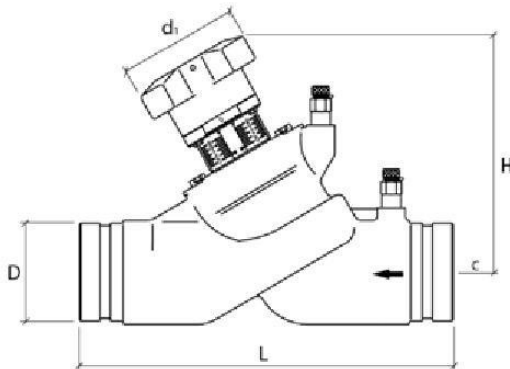
Tel.: +30 210 3412 749-750 Fax: +30 210 3412 406

www.hydrofire.gr, email: info@hydrofire.gr



## oventrop

“Hydrocontrol G” Cast Iron  
Double Regulating and Commissioning Valves  
Grooved Connection 2-1/2” - 12” (DN 65 - DN 300)



Dimensions in Inches

Size	Item no.	Weight	L	H	D	d1
DN65 2-1/2"	106 30 51	19.6 lbs	11.4	7.4	2.9	4.3
DN80 3"	106 30 52	27.8 lbs	12.2	8.0	3.5	4.3
DN100 4"	106 30 53	45.2 lbs	13.8	9.45	4.5	6.3
DN125 5"	106 30 54	70.0 lbs	15.8	11.1	5.6	6.3
DN150 6"	106 30 55	95.7 lbs	18.9	11.2	6.6	6.3
DN200 8"	106 30 56	255.2 lbs	23.6	18.4	8.6	11.8
DN250 10"	106 30 57	377.3 lbs	28.7	18.9	10.8	11.8
DN300 12"	106 30 58	520.3 lbs	33.5	20.3	12.9	11.8

### Installation Notes

When installing the valves, it is to be observed that the direction of flow conforms with the arrow on the valve body and that the valve is installed with a minimum of 3 D (3 x nominal pipe diameter) of straight pipe at the valve inlet and of 2 D (2 x nominal pipe diameter) of straight pipe at the valve outlet.

The double regulating and commissioning valves may be installed in either the supply or the return pipe.



### Product Specification

Oventrop double regulating and commissioning valves “Hydrocontrol G” are installed in the pipework of central hot water heating and cooling systems and serve to achieve a hydronic balance between the various circuits of the system.

The balance is achieved by a presetting with memory position. The calculated flow rate or pressure loss for each individual pipe can be preset centrally and regulated precisely. The required values of presetting can be obtained from the flow charts. All intermediate values are infinitely adjustable. The selected presetting can be read off two scales. The Oventrop double regulating and commissioning valves have two threaded ports which are equipped with the pressure test points for measuring the differential pressure.

### Specifications:

Maximum working temperature: 300°F  
Maximum working pressure: 300 psi  
Temperature range: 15°F to 300°F

Groove connections for couplings.

Valve bodies manufactured from cast iron to ASME/ANSI B16.5 and flanged to 125 lb. standards. Valve body made of cast iron (GG 25 EN-GJL-250), hole circle of the flanged connection according to ANSI 150.

Bonnet, stem and disc made of bronze/dezincification resistant brass.  
Disc with PTFE seal.  
Double EPDM O-ring stem seal.

3-HydrocontrolG-S-021611



# HYDROFIRE ΕΠΕ

Buildings - Industry - Marine – Waterworks  
 END OF AG. PANTELEIMONOS Str. (ELEONAS)  
 GR-12241 EGALEO,

Tel.: +30 210 3412 749-750 Fax: +30 210 3412 406  
 www.hydrofire.gr, email: info@hydrofire.gr



## oventrop

“Hydrocontrol G” Cast Iron  
 Cv Values 2-1/2 to 12 Inch Valves  
 Accessories

### “Hydrocontrol G”—Grooved Connection—2-1/2 to 12 Inch Valves Cv Values for Various Handwheel Settings

Presetting or Handwheel Turns	2- 1/2"	3"	4"	5"	6"	8"	10"	12"
0.5	2.21	2.67	3.96	6.40	6.50	-	-	-
1.0	4.19	5.12	9.94	14.48	17.70	-	-	-
1.5	6.51	8.14	16.28	22.56	29.37	-	-	-
2.0	11.63	13.78	21.51	30.93	41.00	56.86	81.4	232.56
2.5	17.44	21.69	27.91	40.41	62.70	72.09	98.84	290.70
3.0	27.91	30.35	41.16	55.52	110.49	97.67	127.91	360.47
3.5	39.53	40.70	60.47	73.66	157.50	132.56	174.42	441.86
4.0	50.58	52.03	83.72	94.24	194.33	175.58	226.74	558.14
4.5	60.47	64.19	108.14	120.41	236.80	239.53	313.95	662.79
5.0	70.93	75.12	130.23	149.13	277.80	302.67	413.95	767.44
5.5	81.41	87.73	153.29	184.53	316.74	372.09	511.63	872.09
6.0	90.70	101.16	172.09	215.47	349.30	445.35	606.98	982.56
6.5	98.84	113.43	190.73	253.55	379.88	555.58	705.81	1069.77
7.0	104.65	124.13	208.15	283.90	413.49	592.44	793.02	1151.16
7.5	109.88	133.14	220.98	311.80	444.19	650.00	883.72	1244.19
8.0	113.95	142.09	233.72	340.70	470.12	718.60	976.74	1325.58
8.5	-	-	-	-	-	767.44	1034.88	1406.98
9.0	-	-	-	-	-	842.44	1084.88	1500.00
9.5	-	-	-	-	-	881.98	1139.53	1569.77
10.0	-	-	-	-	-	894.19	1195.35	1651.16
10.5	-	-	-	-	-	906.98	1255.81	1720.93
11.0	-	-	-	-	-	918.60	1302.33	1779.07
11.5	-	-	-	-	-	931.86	1348.84	1825.58
12.0	-	-	-	-	-	947.09	1395.35	1860.47

### “Hydrocontrol” Valve Accessories



Set of 2 pressure test points  
 Item 106 02 81



Extension piece for pressure test points  
 40mm Item 168 83 95  
 80mm Item 106 02 95



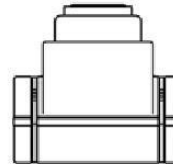
Fill and drain ball valve 1/4"  
 Item 106 01 91



Measuring adapter  
 for fill and drain ball valve  
 Item 106 02 98



Flow meter  
 OV-DMC 2  
 Item 106 91 77



Insulation Shell  
 for “Hydrocontrol F” & “G”

Size	Item no.
DN65 2-1/2"	106 25 86
DN80 3"	106 25 87
DN100 4"	106 25 88
DN125 5"	106 25 89
DN150 6"	106 25 90