



# HYDROFIRE ΕΠΕ

Buildings - Industry - Marine – Waterworks  
END OF AG. PANTELEIMONOS Str. (ELEONAS)  
GR-12241 EGALEO,  
Tel.: +30 210 3412 749-750 Fax: +30 210 3412 406  
[www.hydrofire.gr](http://www.hydrofire.gr), email: [info@hydrofire.gr](mailto:info@hydrofire.gr)



**Tecofi**   
VALVE DESIGNER - FRANCE

## BUTTERFLY VALVE WITH HANDLE

TECHNICAL PASSPORT

**BUTTERFLY VALVE - DUCTILE IRON BODY  
WITH HANDLE - LUGGED**

VPG 4649-02

### APPLICATION

VPG butterfly valves are intended for ON/OFF or control use in fluid transfer circuits.

- Area of use: HVAC.



- Fluids : cold water, hot water, wastewater, liquid discharges, etc.  
«Not suitable for steam application»

### GENERAL CHARACTERISTICS

- Range : from DN40 to DN300.
- Design according to NF EN 593.
- Type with threaded lugs
- Sealing in both directions of circulation of the piping.
- Soft sleeve guaranteeing a perfect tightness.
- Extended neck compatible with pipe lapping
- Disc profiled and reduced in thickness
- Reduced maneuvering torque.
- Coupling stem on disc assembled by conical pin.
- Reduced head losses.
- Notched sector providing 10 positions of adjustment of the handle.
- ISO 5211 mounting plate.



### STANDARDS

<b>Design</b>	Manufacture according to the requirements of the European directive 2014/68/UE «Equipment under pressure»: modulate H.
<b>Face to face</b>	Face to face according to standards NF EN 558-1 série 20, ISO 5272 série 20, DIN 3202.
<b>Connection</b>	Mounting with flanges : ISO PN10/16 from DN40 to DN150 and PN16 from DN200 to DN300 in accordance with the standards EN1092-2, BS450,AISI B16.1-5.
<b>Tests</b>	Pressure test according to standards EN12266-1, DIN 3230, BS 5154 and ISO 5208: -Body : 1.5 x WP bar -Seat : 1.1 x WP bar

### PRODUCT APPROVALS



Tecofi France



The photographs and technical art works are not contractual. The specifications of the presented products are open to modifications without previous advice.

VPG4649-02\_EN // Révisé le 31/05/2021 // Version B



# HYDROFIRE ΕΠΕ

Buildings - Industry - Marine – Waterworks  
 END OF AG. PANTELEIMONOS Str. (ELEONAS)  
 GR-12241 EGALEO,  
 Tel.: +30 210 3412 749-750 Fax: +30 210 3412 406  
 www.hydrofire.gr, email: info@hydrofire.gr



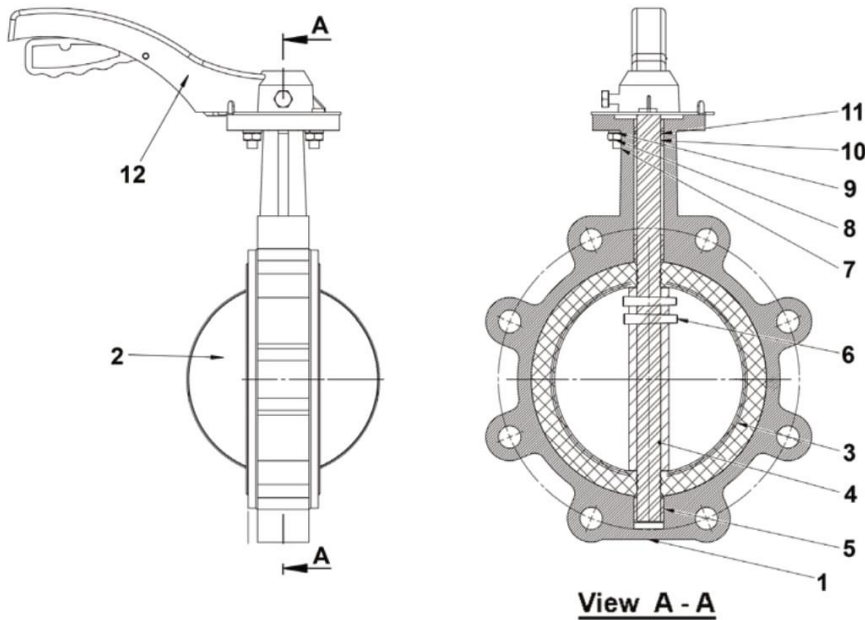
**Tecofi** Φ  
 VALVE DESIGNER - FRANCE

## BUTTERFLY VALVE WITH HANDLE

### TECHNICAL PASSPORT

VPG 4649-02

### CONSTRUCTION



Oven backed epoxy coated body RAL 5019 thickness 150μ

Pos.	Q-ty	Description	Material	Equivalences		
				DIN	ASTM	BS
1	1	Body	Ductile iron EN-GJS-400	GGG40	A536 65-45-12	EN-JS1030
2	1	Disc	Stainless steel 316			
3	1	Sleeve	Heat EPDM			
4	1	Stem	Stainless steel 420	X20Cr13		
5	2	Bushing	PTFE			
6	2	Pin	Stainless steel 420	X20Cr13		
7	2	Screw	Stainless steel 201			
8	2	Nut	Stainless steel 201			
9	2	Washer	Stainless steel 201			
10	2	Bushing	PTFE			
11	1	O ring	EPDM			
12	1	Handle	Aluminium (DN40-150) Ductile iron (DN200-300)			

The photographs and technical art works are not contractual. The specifications of the presented products are open to modifications without previous advice.

Tecofi France



VPG4649-02\_EN // Réalisé le 31/05/2021 // Version B



# HYDROFIRE ΕΠΕ

Buildings - Industry - Marine – Waterworks  
 END OF AG. PANTELEIMONOS Str. (ELEONAS)  
 GR-12241 EGALEO,  
 Tel.: +30 210 3412 749-750 Fax: +30 210 3412 406  
 www.hydrofire.gr, email: info@hydrofire.gr



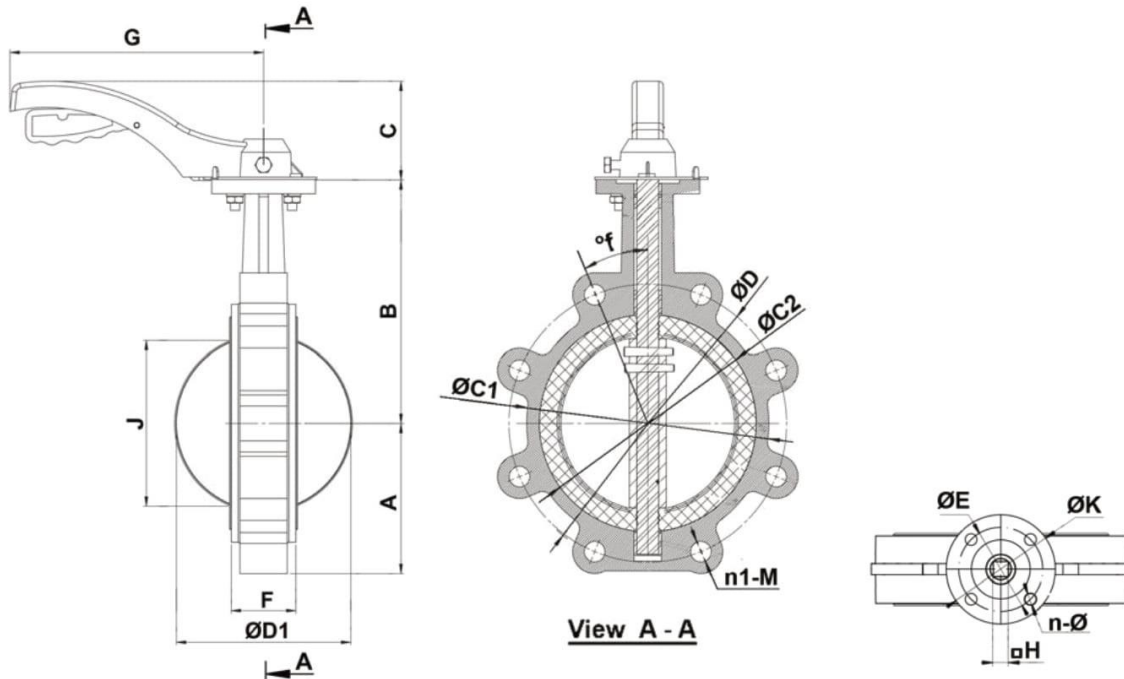
**Tecofi**  
 VALVE DESIGNER - FRANCE

## BUTTERFLY VALVE WITH HANDLE

### TECHNICAL PASSPORT

VPG 4649-02

#### DIMENSIONS



DN		A	B	C	ØC1	ØC2	ØD	ØD1	n1-M	F	G	ØE	ØK	n-Ø	f°	H	Torque (Nm)	Weight (kg)
mm	inch																	
40	1 1/2	102	60	75	88	71	110	43	4-M16	33	175	50	65	4-Ø7	45°	9	12	2.7
50	2	128	60	78	93	75	125	53	4-M16	43	175	50	65	4-Ø7	45°	9	16	3.05
65	2 1/2	140	72	78	110	92	145	65	4-M16	45	175	50	65	4-Ø7	45°	9	18	3.5
80	3	146	89	78	123	105	160	79	8-M16	46	175	50	65	4-Ø7	45°	9	25	4.6
100	4	165	100	78	156	134	180	105	8-M16	52	175	50	65	4-Ø7	22.5°	11	42	6.6
125	5	175	116	98	183	158	210	124	8-M16	54.4	220	70	90	4-Ø10	22.5°	14	65	8.5
150	6	199	131	99	211	187	240	155	8-M20	56	220	70	90	4-Ø10	22.5°	14	110	10.4
200	8	220	162	93	264	236	295	203	12-M20	60	353	102	125	4-Ø12	15°	17	200	17.2
250	10	251	195	93	329	291	355	251	12-M24	66	353	102	125	4-Ø12	15°	22	330	28.2
300	12	288	228	109	385	342	410	302	12-M24	77	502	102	125	4-Ø12	15°	22	500	44

#### WORKING CONDITIONS

Maximum working pressure : 16 bar  
 Maximum working temperature : -15°C / +130°C  
 Peak temperature : -30°C / +150°C

The photographs and technical art works are not contractual. The specifications of the presented products are open to modifications without previous advice.

Tecofi France



VPG4649-02\_EN // Réalisé le 31/05/2021 // Version B