



HYDROFIRE ΕΠΕ

Buildings - Industry - Marine – Waterworks
END OF AG. PANTELEIMONOS Str. (ELEONAS)
GR-12241 EGALEO,
Tel.: +30 210 3412 749-750 Fax: +30 210 3412 406
www.hydrofire.gr, email: info@hydrofire.gr



Tecofi'φ

VALVE DESIGNER - FRANCE

FLANGED METAL GATE VALVE

TECHNICAL PASSPORT

FLANGED PN10 NON-RISING STEM GATE VALVE WITH SHORT PATTERN

V 3200

APPLICATION

Disconnection of flow in fluid transfer networks.

Area of use: Industrial installation, central heating, air conditioning, water transfer networks, water supply, irrigation, sugar factory, mines, etc.



Fluids: water, mineralized water, discharges.

GENERAL CHARACTERISTICS

Range: from DN 40 to DN400.
Full bore, erasure of the wedge in the fully open position.
Low pressure drop.
Excellent tightness guaranteed by attached brass seats.
Brass sealing ring on the wedge.
Packing gland on the stem.
Operated by handwheel with non rising stem.



STANDARDS

| | |
|---------------------|--|
| Connection | Flanged connection according to EN 1092-2 and ISO 7005-2 : ISO PN10. |
| Face to face | Face to face in accordance with EN 558 serie 14 & DIN3202 F4 short pattern. |
| Tests | Pressure test according to standards EN12266-1 and ISO 5208. - Body : 15 bar - Seat : 11 bar |

PRODUCT APPROVALS



V3200_EN // Réalisé le 04/01/2022 // Version B



HYDROFIRE ΕΠΕ

Buildings - Industry - Marine – Waterworks
 END OF AG. PANTELEIMONOS Str. (ELEONAS)
 GR-12241 EGALEO,

Tel.: +30 210 3412 749-750 Fax: +30 210 3412 406
 www.hydrofire.gr, email: info@hydrofire.gr



Tecofi
 VALVE DESIGNER - FRANCE

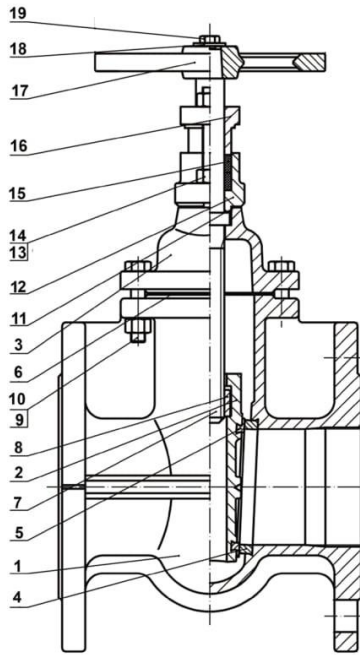
FLANGED METAL GATE VALVE

TECHNICAL PASSPORT

CONSTRUCTION

V 3200

| Component | Coating |
|---------------|--------------------------------------|
| Body & bonnet | Epoxy liquid RAL 5015 100 microns |
| Handwheel | Epoxy RAL 5015 80 microns |



| Pos. | Description | Material | Equivalences | | |
|------|---------------------|---------------------------|-----------------------|---------------|---------------|
| | | | DIN | ASTM | BS |
| 1 | Body | Cast iron EN-GJL-250 | GG 25 / DIN1691 | ASTM 35B | HT250 |
| 2 | Wedge | Cast iron EN-GJL-250 | GG 25 / DIN1691 | ASTM 35B | HT250 |
| 3 | Bonnet | Cast iron EN-GJL-250 | GG 25 / DIN1691 | ASTM 35B | HT250 |
| 4 | Body seal ring | Cast brass | G-CuZn37Pb / DIN17656 | | ZCuZn40Pb2 |
| 5 | Wedge seal ring | Cast brass | G-CuZn37Pb / DIN17656 | | ZCuZn40Pb2 |
| 6 | Bonnet gasket | Graphite | | | LC35-999 |
| 7 | Stem | Stainless steel | X20Cr13 / DIN17440 | | 2Cr13 |
| 8 | Stem nut | Cast brass | | | ZCuZn38Mn2Pb2 |
| 9 | Bolt | Steel | DIN 17100 RSt37-2 | | Q235 |
| 10 | Nut | Steel | DIN 17100 RSt37-2 | | Q235 |
| 11 | Stuffing box gasket | Rubber graphite | | | |
| 12 | Stuffing box | Ductile iron EN-GJS-500-7 | GGG 50 / DIN1693 | ASTM 80-55-06 | QT500-7 |
| 13 | Bolt | Steel | DIN 17100 RSt37-2 | | Q235 |
| 14 | Nut | Steel | DIN 17100 RSt37-2 | | Q235 |
| 15 | Packing | Graphite | | | LC35-999 |
| 16 | Gland follower | Ductile iron EN-GJS-500-7 | GGG 50 / DIN1693 | ASTM 80-55-06 | QT500-7 |
| 17 | Handwheel | Cast iron EN-GJL-250 | GG 25 / DIN1691 | ASTM 35B | HT250 |
| 18 | Washer | Steel | RSt37-2 / DIN 17100 | | Q235 |
| 19 | Bolt | Steel | RSt37-2 / DIN 17100 | | Q235 |

The photographs and technical art works are not contractual. The specifications of the presented products are open to modifications without previous advice



V3200_EN // Réalisé le 04/01/2022 // Version B



HYDROFIRE ΕΠΕ

Buildings - Industry - Marine – Waterworks
 END OF AG. PANTELEIMONOS Str. (ELEONAS)
 GR-12241 EGALEO,

Tel.: +30 210 3412 749-750 Fax: +30 210 3412 406
 www.hydrofire.gr, email: info@hydrofire.gr



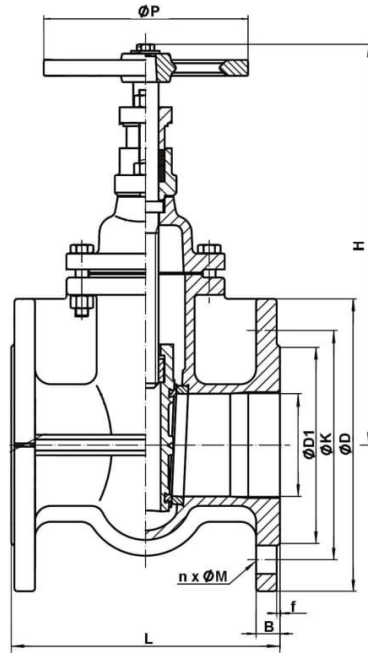
Tecofi 
 VALVE DESIGNER - FRANCE

FLANGED METAL GATE VALVE

TECHNICAL PASSPORT

V 3200

DIMENSIONS



| DN | | L | Ø D | ØK | ØD1 | ØP | H | n-ØM | B | f | Weight (kg) |
|-----|-------|-----|-----|-----|-----|-----|-----|--------|------|---|-------------|
| mm | inch | | | | | | | | | | |
| 40 | 1"1/2 | 140 | 150 | 110 | 80 | 130 | 245 | 4-Ø19 | 16 | 2 | 8.7 |
| 50 | 2" | 150 | 165 | 125 | 102 | 130 | 255 | 4-Ø19 | 16 | 2 | 10.8 |
| 65 | 2"1/2 | 170 | 185 | 145 | 124 | 130 | 277 | 4-Ø19 | 16 | 2 | 12.8 |
| 80 | 3" | 180 | 200 | 160 | 140 | 150 | 303 | 8-Ø19 | 17 | 2 | 16.6 |
| 100 | 4" | 190 | 220 | 180 | 158 | 185 | 340 | 8-Ø19 | 17 | 2 | 22.8 |
| 125 | 5" | 200 | 250 | 210 | 188 | 185 | 387 | 8-Ø19 | 18 | 3 | 32.1 |
| 150 | 6" | 210 | 285 | 240 | 212 | 195 | 545 | 8-Ø23 | 20 | 3 | 42.9 |
| 200 | 8" | 230 | 340 | 295 | 268 | 225 | 538 | 8-Ø23 | 21 | 3 | 71.3 |
| 250 | 10" | 250 | 395 | 350 | 320 | 245 | 629 | 12-Ø23 | 23 | 3 | 98 |
| 300 | 12" | 270 | 445 | 400 | 370 | 285 | 730 | 12-Ø23 | 24 | 4 | 145.2 |
| 350 | 14" | 290 | 505 | 460 | 429 | 400 | 870 | 16-Ø23 | 26.5 | 4 | 211 |
| 400 | 16" | 310 | 565 | 515 | 480 | 400 | 940 | 16-Ø28 | 28 | 4 | 275 |

WORKING CONDITIONS

Maximum working pressure : 10 bar (DN40-300)
 4 bar (DN350-400)

Maximum working temperature : +120°C

The photographs and technical art works are not contractual. The specifications of the presented products are open to modifications without previous advice



V3200_EN // Réalisé le 04/01/2022 // Version B