



HYDROFIRE ΕΠΕ

Buildings - Industry - Marine – Waterworks
END OF AG. PANTELEIMONOS Str. (ELEONAS)
GR-12241 EGALEO,
Tel.: +30 210 3412 749-750 Fax: +30 210 3412 406
www.hydrofire.gr, email: info@hydrofire.gr



Victaulic® Series UM Universal Manifold Assembly



1.0 PRODUCT DESCRIPTION

Available Sizes

- 1 ¼ – 8"/DN32 – DN200

Maximum Working Pressure

- Up to 300 psi/2068 kPa/21 Bar

Application

- Fire protection system control module includes test and drain valve, waterflow detector, pressure gauge, flexible drain connection and adjustable pressure relief valve (175 – 310 psi/1206 – 2137 kPa adjustable set pressure).

Configurations

- Optional control valve: Series 705 Butterfly Valve or Series 728 Ball Valve

2.0 CERTIFICATION/LISTINGS



3.0 SPECIFICATIONS – MATERIAL

Valve body: Cast ductile iron conforming to ASTM A536, Grade 65-45-12.

Waterflow Detector: Vane type waterflow detector with sealed retard, and mechanical delay adjustment. Cover includes tamper resistant security screws and tool.

ALWAYS REFER TO ANY NOTIFICATIONS AT THE END OF THIS DOCUMENT REGARDING PRODUCT INSTALLATION, MAINTENANCE OR SUPPORT.



HYDROFIRE ΕΠΕ

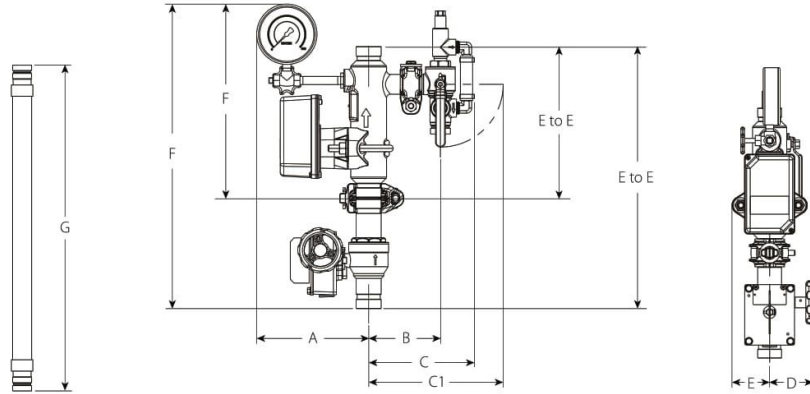
Buildings - Industry - Marine – Waterworks
 END OF AG. PANTELEIMONOS Str. (ELEONAS)
 GR-12241 EGALEO,

Tel.: +30 210 3412 749-750 Fax: +30 210 3412 406
www.hydrofire.gr, email: info@hydrofire.gr



victaulic.com

4.0 DIMENSIONS



Size		Dimensions													Weight Approx. (Each)	
Nominal	Actual Outside Diameter	E to E with control valve	E to E without control valve	A	B	C	C1	D	E	F with control valve	F without control valve	G	Series UTD Valve Size (Nominal)	Series UTD Test Orifice	with control valve	without control valve
inches DN	inches mm	inches mm	inches mm	inches mm	inches mm	inches mm	inches mm	inches mm	inches mm	inches mm	inches mm	inches mm	inches DN	K-Factor S.I.	lb	kg
1 ¼ DN32	1.660 42.4	17.38 441	10.00 254	7.38 187	4.75 121	7.00 178	8.88 225	3.00 76	2.63 67	20.25 514	12.88 327	24.00 610	1.00 25	2.8 4.0	22 9.98	13 5.90
1 ½ DN40	1.900 48.3	17.38 441	10.00 254	7.38 187	4.75 121	7.00 178	8.88 225	3.00 76	2.63 67	20.25 514	12.88 327	24.00 610	1.00 25	2.8 4.0	22 9.98	13 5.90

NOTE

- When Series UTD Valve Size (Nominal) is 1 1/25 mm, flexible drain hose connection utilizes FireLock IGS™ groove profile.



HYDROFIRE ΕΠΕ

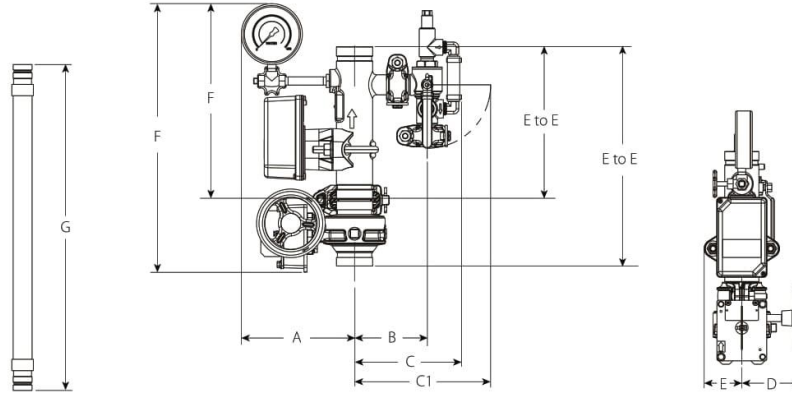
Buildings - Industry - Marine – Waterworks
 END OF AG. PANTELEIMONOS Str. (ELEONAS)
 GR-12241 EGALEO,

Tel.: +30 210 3412 749-750 Fax: +30 210 3412 406
www.hydrofire.gr, email: info@hydrofire.gr



victaulic.com

4.0 DIMENSIONS (CONTINUED)



Size		Dimensions													Weight Approx. (Each)	
Nominal	Actual Outside Diameter	E to E with control valve	E to E without control valve	A	B	C	C1	D	E	F with control valve	F without control valve	G	Series UTD Valve Size (Nominal)	Series UTD Test Orifice K-Factor	with control valve	without control valve
inches DN	inches mm	inches mm	inches mm	inches mm	inches mm	inches mm	inches mm	inches mm	inches mm	inches mm	inches mm	inches mm	inches DN	S.I.	lb kg	lb kg
2	2.375	14.38	10.00	7.38	4.75	7.00	8.88	4.13	2.63	17.63	12.88	24.00	1.00	4.2	24	13
DN50	60.3	365	254	187	121	178	225	105	67	448	327	610	25	6.1	10.89	5.90
2½	2.875	13.88	10.00	7.63	5.88	8.38	10.75	4.13	2.63	17.50	12.88	24.00	1.25	4.2	29	17
	73.0	352	254	194	149	213	273	105	67	445	327	610	32	6.1	13.15	7.71
DN65	3.000	13.88	10.00	7.63	5.88	8.38	10.75	4.13	2.63	17.50	12.88	24.00	1.25	4.2	29	17
	76.1	352	254	194	149	213	273	105	67	445	327	610	32	6.1	13.15	7.71
3	3.500	14.88	11.00	8.00	6.13	8.63	11.00	4.13	2.88	18.50	13.88	24.00	1.25	4.2	33	20
DN80	88.9	378	279	203	156	219	279	105	73	470	352	610	32	6.1	14.97	9.07

NOTE

- When Series UTD Valve Size (Nominal) is 1 1/25 mm, flexible drain hose connection utilizes FireLock IGS™ groove profile.



HYDROFIRE ΕΠΕ

Buildings - Industry - Marine – Waterworks

END OF AG. PANTELEIMONOS Str. (ELEONAS)

GR-12241 EGALEO,

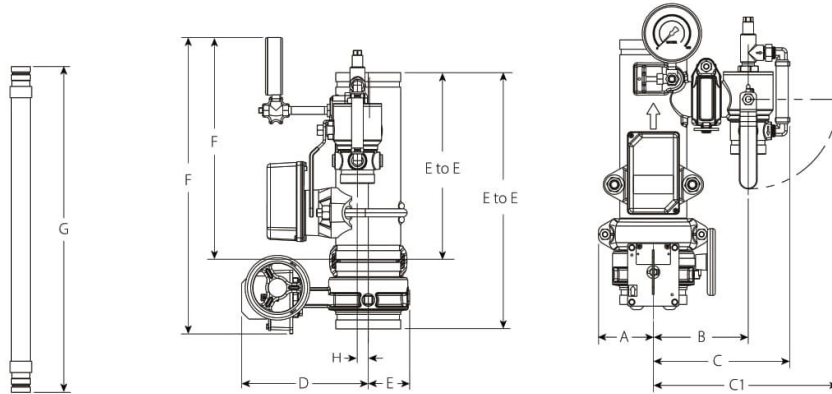
Tel.: +30 210 3412 749-750 Fax: +30 210 3412 406

www.hydrofire.gr, email: info@hydrofire.gr



victaulic.com

4.0 DIMENSIONS (CONTINUED)



Size		Dimensions														Weight Approx. (Each)	
Nominal inches DN	Actual Outside Dia. inches mm	E to E with control valve inches mm	E to E without control valve inches mm	A inches mm	B inches mm	C inches mm	C1 inches mm	D inches mm	E inches mm	F with control valve inches mm	F without control valve inches mm	G inches mm	H inches mm	Series UTD Valve Size (Nominal) inches DN	Series UTD Test Orifice K-Factor S.I.	with control valve lb kg	without control valve lb kg
4 DN100	4.500 114.3	17.88 454	13.00 330	3.75 95	6.38 162	9.25 235	12.38 314	8.75 222	2.88 73	20.63 524	15.50 394	36.00 914	0.75 19	2.00 51	5.6 8.1	44 19.96	17 7.71
	6.500 165.1	19.00 483	13.00 330	5.13 130	7.38 187	10.25 260	13.38 340	11.38 289	4.25 108	21.50 546	15.50 394	36.00 914	1.50 38	2.00 51	5.6 8.1	66 29.94	34 15.42
6 DN150	6.625 168.3	19.00 483	13.00 330	5.13 130	7.38 187	10.25 260	13.38 340	11.38 289	4.25 108	21.50 546	15.50 394	36.00 914	1.50 38	2.00 51	5.6 8.1	66 29.94	34 15.42



HYDROFIRE ΕΠΕ

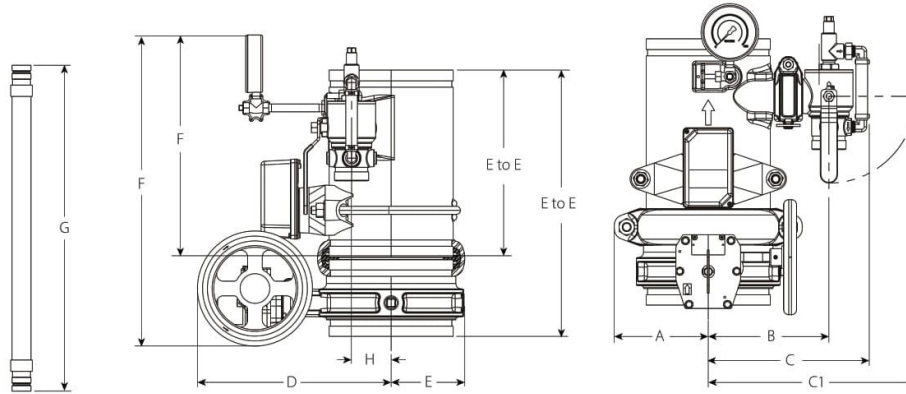
Buildings - Industry - Marine – Waterworks
 END OF AG. PANTELEIMONOS Str. (ELEONAS)
 GR-12241 EGALEO,

Tel.: +30 210 3412 749-750 Fax: +30 210 3412 406
www.hydrofire.gr, email: info@hydrofire.gr



victaulic.com

4.0 DIMENSIONS (CONTINUED)



Size		Dimensions														Weight Approx. (Each)	
Nominal inches DN	Actual Outside Dia. inches mm	E to E with control valve inches mm	E to E without control valve inches mm	A inches mm	B inches mm	C inches mm	C1 inches mm	D inches mm	E inches mm	F with control valve inches mm	F without control valve inches mm	G inches mm	H inches mm	Series UTD Valve Size (Nominal) inches DN	Series UTD Test Orifice K-Factor S.I.	with control valve lb kg	without control valve lb kg
8	8.625	18.50	13.00	6.50	8.38	11.25	14.38	13.50	5.13	21.63	15.50	36.00	2.75	2.00	5.6	91	54
DN200	219.1	470	330	165	213	286	365	343	130	549	394	914	70	51	8.1	41.28	24.49



HYDROFIRE ΕΠΕ
Buildings - Industry - Marine – Waterworks
 END OF AG. PANTELEIMONOS Str. (ELEONAS)
 GR-12241 EGALEO,
 Tel.: +30 210 3412 749-750 Fax: +30 210 3412 406
www.hydrofire.gr, email: info@hydrofire.gr



victaulic.com

5.0 PERFORMANCE

Size		Equivalent Length of Sch. 40 Pipe ¹		Flow Characteristics		Performance
Nominal inches DN	Actual Outside Diameter inches mm	with control valve	without control valve	Cv/Kv Values with control valve	Cv/Kv Values without control valve	Maximum Working Pressure psi kPa
		feet meters	feet meters	Full Open	Full Open	
1 ¼ DN32	1.660 42.4	5.75 1.8	5.25 1.6	47.65 41	49.33 43	300 2068
1 ½ DN40	1.900 48.3	6 1.8	5.875 1.8	70.66 61	72.53 63	300 2068
2 DN50	2.375 60.3	12.25 3.7	6.625 2.0	95.39 83	130.61 113	300 2068
2 ½	2.875 73.0	9.875 3.0	5.25 1.6	149.98 130	218.87 189	300 2068
DN65	3.000 76.1	9.875 3.0	5.25 1.6	149.98 130	218.87 189	300 2068
3 DN80	3.500 88.9	9 2.7	4.125 1.3	298 258	433.2 375	300 2068
4 DN100	4.500 114.3	8.5 2.6	3 0.9	594.94 515	964.95 835	300 2068
	6.500 165.1	12 3.7	4.5 1.4	1472.2 1273	2256.53 1952	300 2068
6 DN150	6.625 168.3	12 3.7	4.5 1.4	1472.2 1273	2256.53 1952	300 2068
8 DN200	8.625 219.1	17.5 5.3	4.125 1.3	2500.92 2163	5035.24 4355	300 2068

¹ Equivalent length of Sch. 40 pipe calculated using the hazen-williams formula with a roughness constant of c=120.



HYDROFIRE ΕΠΕ

Buildings - Industry - Marine – Waterworks
END OF AG. PANTELEIMONOS Str. (ELEONAS)
GR-12241 EGALEO,

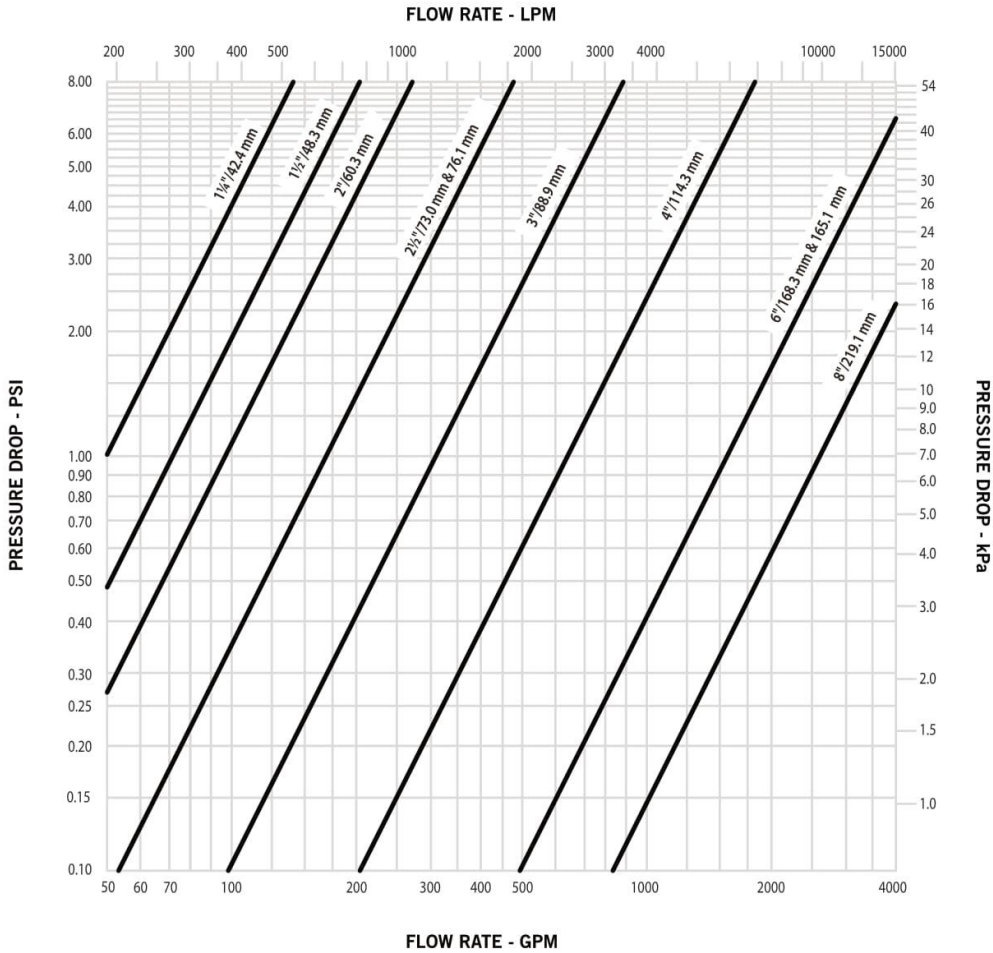
Tel.: +30 210 3412 749-750 Fax: +30 210 3412 406
www.hydrofire.gr, email: info@hydrofire.gr



victaulic.com

5.0 PERFORMANCE

Series UM Friction Loss with Control Valve (including water flow switch)





HYDROFIRE ΕΠΕ

Buildings - Industry - Marine – Waterworks
END OF AG. PANTELEIMONOS Str. (ELEONAS)
GR-12241 EGALEO,

Tel.: +30 210 3412 749-750 Fax: +30 210 3412 406
www.hydrofire.gr, email: info@hydrofire.gr



victaulic.com

5.0 PERFORMANCE (CONTINUED)

Series UM Friction Loss with Control Valve (including water flow switch)

