



HYDROFIRE ΕΠΕ

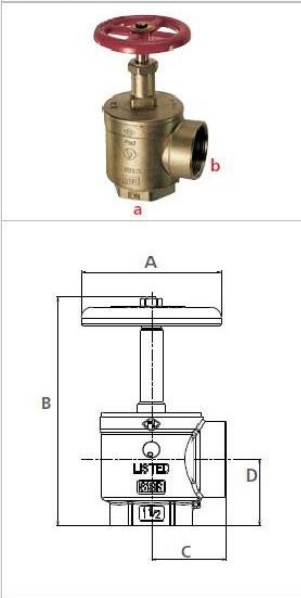
Buildings - Industry - Marine – Waterworks
 END OF AG. PANTELEIMONOS Str. (ELEONAS)
 GR-12241 EGALEO,

Tel.: +30 210 3412 749-750 Fax: +30 210 3412 406
www.hydrofire.gr, email: info@hydrofire.gr



Angle Hose Valve 300 Lb. Rated

A55



► Used with a Fire Hose Rack Assembly, or as a Fire Dept. outlet connection.

DOUBLE FEMALE

Standard equipment:
 Female NPT inlet and outlet forged brass valve.
 Red hand wheel.

Optional Finishes:

PB
 RC
 PC

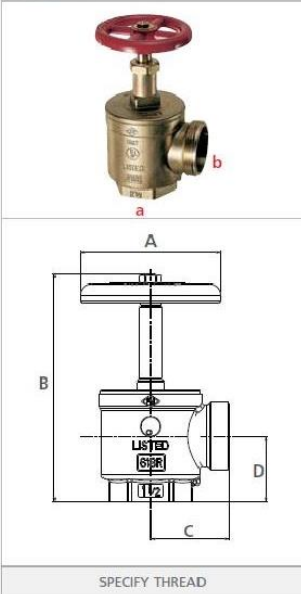


a	b
1-1/2"	1-1/2"
2-1/2"	2-1/2"

	1-1/2" x 1-1/2"	2-1/2" x 2-1/2"
A	4-1/64"	5-1/8"
B	7-11/16"	10-9/16"
C	2-9/64"	3-5/32"
D	1-57/64"	2-41/64"

Angle Hose Valve 300 Lb. Rated

A56



► Used with a Fire Hose Rack Assembly, or as a Fire Dept. outlet connection.

FEMALE X MALE

Standard equipment:
 Female NPT inlet x male hose thread outlet forged brass valve.
 Red hand wheel.

Optional Finishes:

PB
 RC
 PC



a	b
1-1/2"	1-1/2"
2-1/2"	2-1/2"

	1-1/2" x 1-1/2"	2-1/2" x 2-1/2"
A	4-1/64"	5-1/8"
B	7-11/16"	10-9/16"
C	2-17/64"	3-3/16"
D	1-57/64"	2-41/64"