



HYDROFIRE EPE

Buildings - Industry - Marine – Waterworks
END OF AG. PANTELEIMONOS Str. (ELEONAS)
GR-12241 EGALEO,
Tel.: +30 210 3412 749-750 Fax: +30 210 3412 406
www.hydrofire.gr, email: info@hydrofire.gr



VERSATORE SCHIUMA Mod. FI – VE FOAM POURER Mod. FI – VE



CARATTERISTICHE:

Corpo: Acciaio al carbonio
Attacco: Flangiato UNI, ANSI
Verniciatura ciclo standard: RAL 3000.

A Richiesta

Modello in acciaio INOX
Rete di protezione in acciaio inox

CHARACTERISTICS:

Body: Carbon steel
Connection: Flanged UNI, ANSI
External painting cycle: RAL 3000.

On Request

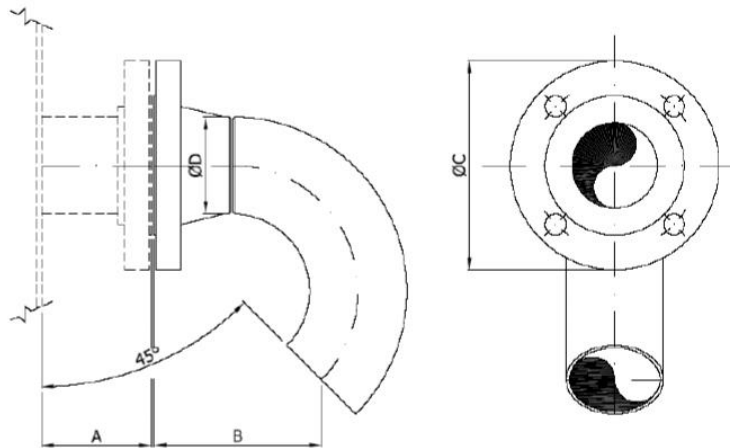
Stainless steel
Protective mesh in stainless steel



HYDROFIRE ΕΠΕ

Buildings - Industry - Marine – Waterworks
 END OF AG. PANTELEIMONOS Str. (ELEONAS)
 GR-12241 EGALEO,

Tel.: +30 210 3412 749-750 Fax: +30 210 3412 406
www.hydrofire.gr, email: info@hydrofire.gr



MODELLO TYPE	A	B	øC	øD	PESO WEIGHT (Kg.)
FI-VE 3	580	152	3"	3"	7
FI-VE 4		185	4"	4"	11
FI-VE 6		252	6"	6"	21
FI-VE 8	150	320	8"	3"	41