



HYDROFIRE EPE

Buildings - Industry - Marine – Waterworks
END OF AG. PANTELEIMONOS Str. (ELEONAS)
GR-12241 EGALEO,

Tel.: +30 210 3412 749-750 Fax: +30 210 3412 406
www.hydrofire.gr, email: info@hydrofire.gr



MONITORE A COMANDI ELETTRICI – Mod. FI-EMP3 ELECTRIC REMOTE CONTROLLED MONITOR – Mod. FI-EMP3



CARATTERISTICHE TECNICHE:

- = Corpo in acciaio inox
- = Flange in inox
- = Rotazione su Giunti A Doppia Corona e Anelli di Tenuta In Nbr
- = Comandi D'emergenza Manuali A Volantino
- = Rotazione +170° -170° / Alzo +77° -77°
- = Alimentazione Elettrica 380V - 3 Fasi -50Hz
- = Monitori Elettrici Esecuzione IP 66 O Eexd
- = Interruttori Fine Corsa Disponibili N°1 Alzo, N°1 Rotazione

A RICHIESTA:

- = Alimentazione: 440V-60Hz-3FASI
24V D.C.
230V-50Hz-1FASI
- = Accessori: Encoder, Absolute Positioning Sensors

TECHNICAL CHARACTERISTICS:

- = Body made of stainless steel
- = Flange made of stainless steel
- = Rotating Join With Two Ring Sphere And Nbr Tightness
- = Manual Emergency Operation With Handwheels
- = Rotation +170° -170° / Elevation +77° -77°
- = Feeding Voltage 380V – 3 Phases – 50Hz
- = Electric Motor IP 66 Execution Or Eexd
- = Limit Switch Suitable

ON REQUEST:

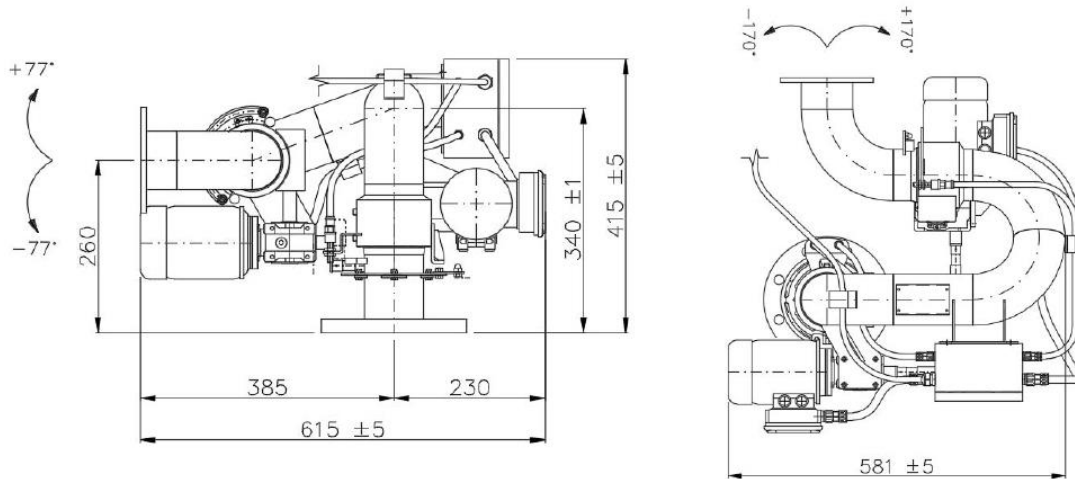
- = Feeding Voltage: 440V-60Hz-3PHASES
24V D.C.
230V-50Hz-1PH
- = Accessories: Encoder, Absolute Positioning Sensors



HYDROFIRE ΕΠΕ

Buildings - Industry - Marine – Waterworks
 END OF AG. PANTELEIMONOS Str. (ELEONAS)
 GR-12241 EGALEO,

Tel.: +30 210 3412 749-750 Fax: +30 210 3412 406
www.hydrofire.gr, email: info@hydrofire.gr



MODELLO	Diametro flange ingresso	Corpo	Portata massima	Materiale Corpo	Peso
MODEL	Inlet connections size	Body	Max. Capacity Lt/1'	Body Material	Weight
FI- EMP3	3" / 4" UNI / ANSI	3"	3.500	Acc. Inox 304/316 Stainless stell	IP 65 30 Kg ATEX 37 Kg

