



# HYDROFIRE ΕΠΕ

Buildings - Industry - Marine – Waterworks  
 END OF AG. PANTELEIMONOS Str. (ELEONAS)  
 GR-12241 EGALEO,  
 Tel.: +30 210 3412 749-750 Fax: +30 210 3412 406  
 www.hydrofire.gr, email: info@hydrofire.gr



Ref. : RP 1105.pas  
 Rev. : C  
 Date : 02/08/2011  
 Page : 1/1

## DRAIN BALL VALVE RP 1105



### APPLICATION

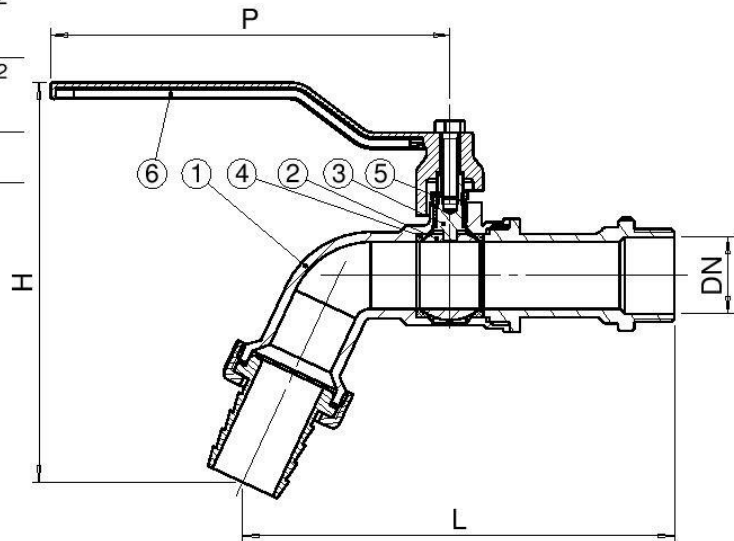
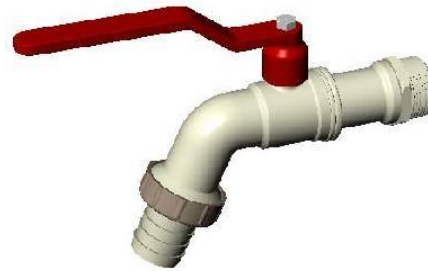
- General use : water distribution networks.

### GENERAL CHARACTERISTICS

- From DN 1/2" to DN 1".  
 - Steel handle with breeze jet.

### CONSTRUCTION

6	1	Handle	Steel	
5	1	Packing gland	PTFE	
4	2	Seat	PTFE	
3	1	Stem	Brass	
2	1	Ball	Brass	DIN : CuZn39Pb2 ASTM : C37700 BS : CZ121
1	1	Body	Brass	DIN : CuZn39Pb2 ASTM : C37700 BS : CZ121
Pos.	Qty.	Description	Material	



### DIMENSIONS

DN		L	H	P	Weight (kg)
mm	inch				
15	1/2"	90	86,5	84	0,30
20	3/4"	102	93,0	84	0,34
25	1"	124	110	98	0,38

### WORKING CONDITIONS

PS max : 16 bar  
 T max : + 60 °C

Test procedures are established according to standards  
 EN 12266-1, DIN 3230, BS 5154 and ISO 5208 :  
 Body : 24 bar.

### STANDARDS

BSP male threaded according to standard ISO 228-1.

The photographs and technical art works are not contractual. The specifications of the presented products are open to modifications without previous advice.