



# HYDROFIRE ΕΠΕ

Buildings - Industry - Marine – Waterworks  
END OF AG. PANTELEIMONOS Str. (ELEONAS)  
GR-12241 EGALEO,  
Tel.: +30 210 3412 749-750 Fax: +30 210 3412 406  
[www.hydrofire.gr](http://www.hydrofire.gr), email: [info@hydrofire.gr](mailto:info@hydrofire.gr)



# Tecofi'φ

VALVE DESIGNER - FRANCE

## AXIAL CHECK VALVE

### TECHNICAL PASSPORT

### NON RETURN AXIAL CHECK VALVE BRASS BODY

CA 1142

#### APPLICATION

Area of use: water distribution, HVAC, pumping.



Fluids: hot water, cold water, potable water.

#### GENERAL CHARACTERISTICS

- Range: DN 1/2" to DN 4".
- Non return check valve with double axial and lateral guide
  - Perfect centering of the disc on the seat.
  - Mounting direction is indicated by an arrow on the body.
  - Easy opening under low pressure.
  - Excellent mechanical resistance.
  - Closure guaranteed by stainless steel return spring.
  - Sealing on high pressure and low pressure assured by a flat NBR gasket.
  - Low head losses.
  - Installation possible in any position
  - Female / female BSP connection.



#### STANDARDS

Connection	Threaded female BSP cylindrical ends according to ISO 228/1
Tests	Pressure test according to standards EN 12266-1, DIN 3230, BS 5154 and ISO 5208.

#### PRODUCT APPROVALS





# HYDROFIRE ΕΠΕ

Buildings - Industry - Marine – Waterworks  
 END OF AG. PANTELEIMONOS Str. (ELEONAS)  
 GR-12241 EGALEO,  
 Tel.: +30 210 3412 749-750 Fax: +30 210 3412 406  
[www.hydrofire.gr](http://www.hydrofire.gr), email: [info@hydrofire.gr](mailto:info@hydrofire.gr)



**Tecofi**  
 VALVE DESIGNER - FRANCE

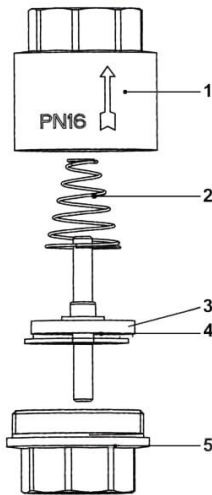
## AXIAL CHECK VALVE

### TECHNICAL PASSPORT

#### NON RETURN AXIAL CHECK VALVE BRASS BODY

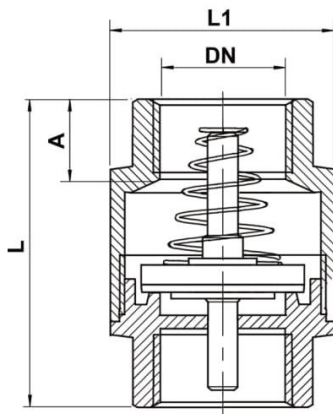
CA 1142

#### CONSTRUCTION



Pos.	Description	Material
1	Body	Brass CW617N
2	Spring	Stainless steel
3	Disc	PA + ABS
4	Gasket	NBR
5	Bonnet	Brass CW617N

#### DIMENSIONS



DN		A	L	L1	Weight (kg)
inch	mm				
1/2"	15	12	46.5	33.7	0.12
3/4"	20	12	50	39.5	0.16
1"	25	13.5	57	45.9	0.21
1"1/4	32	15	60.5	58.7	0.34
1"1/2	40	16	71	68	0.52
2"	50	17	74.5	84	0.74
2"1/2	65	23	100	98	1.15
3"	80	23.5	109.5	112	1.72
4"	100	25	114	138	3.11

#### WORKING CONDITIONS

Maximum working pressure : 16 bar  
 Maximum working temperature: -20°C /+100°C.

The photographs and technical art works are not contractual. The specifications of the presented products are open to modifications without previous advice



CA 1142\_EN // Réalisé le 15/04/2021 // Version A