



HYDROFIRE ΕΠΕ

Buildings - Industry - Marine – Waterworks
END OF AG. PANTELEIMONOS Str. (ELEONAS)
GR-12241 EGALEO,
Tel.: +30 210 3412 749-750 Fax: +30 210 3412 406
www.hydrofire.gr, email: info@hydrofire.gr



(Technical communication n° A-001)



A53 Gate Valve 300 lb. rated

Standard equipment

Female NPT inlet x male hose thread outlet,
forged brass with red hand wheel, solid
wedge disc with tapered seats.

Product

Straight pattern, non rising stem 300 psi hose
gate valve are intended for use on standpipes,
fire pumps and hydrants. Available with and
without cap and chain.

Optional finishes:

PB - Polish Brass
RC - Rough chrome plated
PC - Polish Chrome plated

FEMALE x MALE

a	b
2 1/2"	2 1/2"
3"	2 1/2"

[Standards](#)
[Product](#)
[Threads](#)
[Construction](#)
[Dimensions](#)
[Use](#)
[Example](#)



[Standards](#)
[Product](#)
[Threads](#)
[Construction](#)
[Dimensions](#)
[Use](#)
[Example](#)



Thread

A53Y001 2 1/2" NST GL PL+A80
A53Y002 3" x 2 1/2" NST GL PL+A80
A53Y003 2 1/2" NCFD GL PL+A80
A53Y005 2 1/2" CSA GL RL+A80
A53Y006 2 1/2" BCT GL RL+A80
A53Y007 2 1/2" QST GL RL+A80
A53Y008 2 1/2" WCT GL RL+A80
A53Y010 2 1/2" NSST GL RL+A80
A53Y013 2 1/2" NYFD GL PL+A80

Legend

[Product](#)
[Threads](#)
[Construction](#)
[Dimensions](#)
[Use](#)
[Example](#)





HYDROFIRE ΕΠΕ

Buildings - Industry - Marine – Waterworks
END OF AG. PANTELEIMONOS Str. (ELEONAS)
GR-12241 EGALEO,

Tel.: +30 210 3412 749-750 Fax: +30 210 3412 406
www.hydrofire.gr, email: info@hydrofire.gr



- A53Y021 2 1/2" NST GL without A80
- A53Y022 3" x 2 1/2" NST GL without A80
- A53Y025 2 1/2" CSA GL without A80
- A53Y026 2 1/2" BCT GL without A80
- A53Y027 2 1/2" QST GL without A80
- A53Y041 2 1/2" NST LUC PL+A80
- A53Y042 3" x 2 1/2" NST LUC PL+A80
- A53Y061 2 1/2" NST LUC without A80

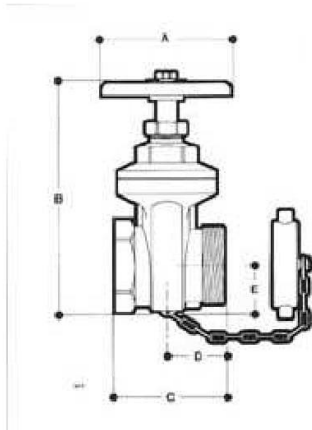
Construction

Valves are made of forged brass ASTM B124-86 C87700 equivalent to EN 12164 CuZn40Pb2. They have non rising stem, which improves sealing characteristics, by limiting the stem movements to a rotation only. Solid wedge disc with tapered seats.

[Product](#)
[Thread](#)
[Construction](#)
[Dimensions](#)
[Use](#)
[Example](#)



Dimensions



	2 1/2" x 2 1/2"	3" x 2 1/2"
A	5 5/32"	5 5/32"
B	9 19/64"	9 19/64"
C	4 11/32"	4 17/32"
D	2 17/64"	2 17/64"
E	1 57/64"	1 57/64"

[Product](#)
[Thread](#)
[Construction](#)
[Dimensions](#)
[Use](#)
[Example](#)



How to use the valve

Valves are available with female inlet connection to iron pipe and male connection to hose.

Used to test flow capacity of fire pumps. Each outlet capable of a minimum flow of 250 gpm. Gate valves provide unrestricted waterway and control of individual outlets (NFPA 25)

[Product](#)
[Thread](#)
[Construction](#)
[Dimensions](#)
[Use](#)
[Example](#)



Example of installation

[Product](#)
[Thread](#)
[Construction](#)
[Dimensions](#)



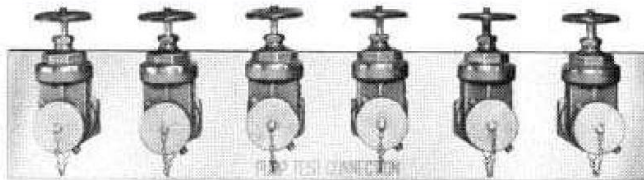
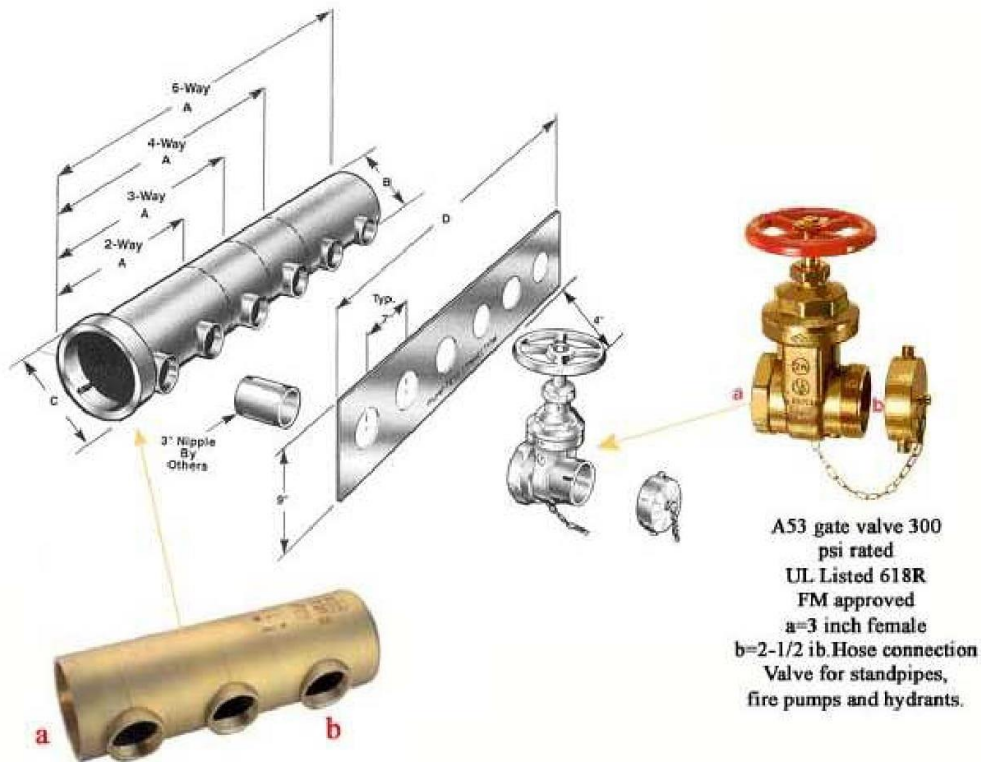
HYDROFIRE ΕΠΕ

Buildings - Industry - Marine – Waterworks
END OF AG. PANTELEIMONOS Str. (ELEONAS)
GR-12241 EGALEO,

Tel.: +30 210 3412 749-750 Fax: +30 210 3412 406
www.hydrofire.gr, email: info@hydrofire.gr



Use
Exampl



Example of installation for use to test flow capacity of fire pumps in accordance with NFPA 25. Each outlet capable of a minimum flow of 250 gpm, providing unrestricted waterway and control of individual outlet.