



HYDROFIRE EPE

Buildings - Industry - Marine - Waterworks

END OF AG. PANTELEIMONOS Str. (ELEONAS)
GR-12241 EGALEO,

Tel.: +30 210 3412 749-750 Fax: +30 210 3412 406

www.hydrofire.gr, email: info@hydrofire.gr



Ref. : RF 3241.pas

Rev. : G

Date : 23/12/2015

Page : 1/1

BALANCED FLOAT VALVE STRAIGHT TYPE

RF 3241



Tecofi'
VALVE DESIGNER - FRANCE

APPLICATION

General use : potable water and irrigation.

GENERAL CHARACTERISTICS

Range : from DN 40 to DN 250.

CONSTRUCTION

5	1	Float	Stainless steel 304	
4	1	Valve	Stainless steel 304	
3	1	Obturator	Stainless steel 304	
2	1	Cover	Cast iron GG25	DIN : GG25 ASTM : A48 class 40B BS : Grade 250
1	1	Body	Cast iron GG25	DIN : GG25 ASTM : A48 class 40B BS : Grade 250
Pos.	Qty.	Désignation	Matière	



DIMENSIONS

DN	H	H1	H2	L	L1	ØD	ØD1	n x Ød	Weight (kg)
40	145	1050	140	180	352	150	300	4x18	15
50	150	1050	140	200	352	165	300	4x18	17
65	170	1060	165	240	352	185	300	4x18	26
80	205	1030	190	260	352	200	300	8x18	32
100	225	1580	160	300	390	220	375	8x18	38
125	260	1650	205	350	390	250	375	8x18	65
150	260	1600	220	400	390	285	375	8x22	90
200	370	1780	510	500	582	340	460	8x22	160
250	410	1800	300	730	582	405	460	12x26	200

WORKING CONDITIONS

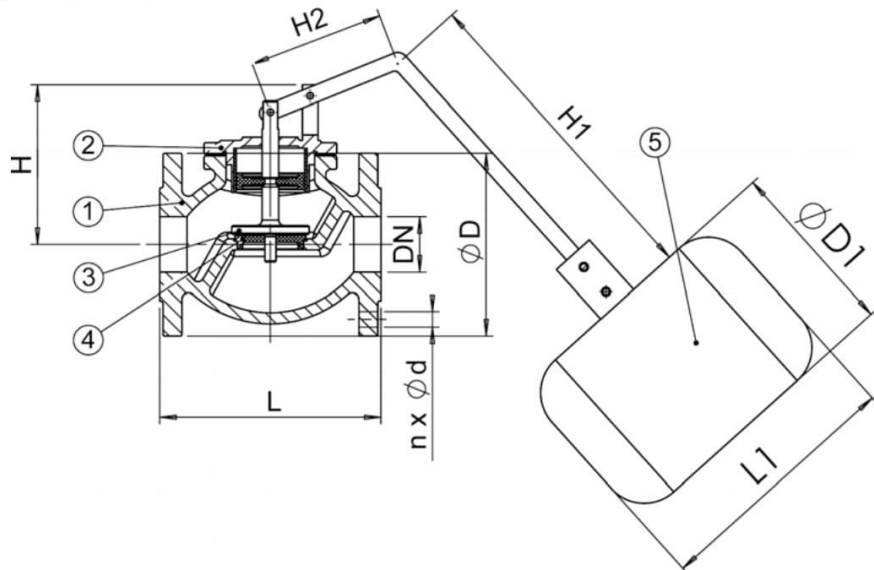
Maxi working pressure :
16 bar from DN40 to DN150
10 bar from DN200 to DN250

Maxi temperature : - 10 °C / +120 °C

Test procedures are established according to standards EN 12266-1, DIN 3230, BS 6755 and ISO 5208.

STANDARDS

Face to face according to EN 558 Serie 48 and DIN 3202 / F6.
Flanges drilled according to DIN 2501 and EN 1092-2 : ISO PN10.



The photographs and technical art works are not contractual. The specifications of the presented products are open to modifications without previous advice.